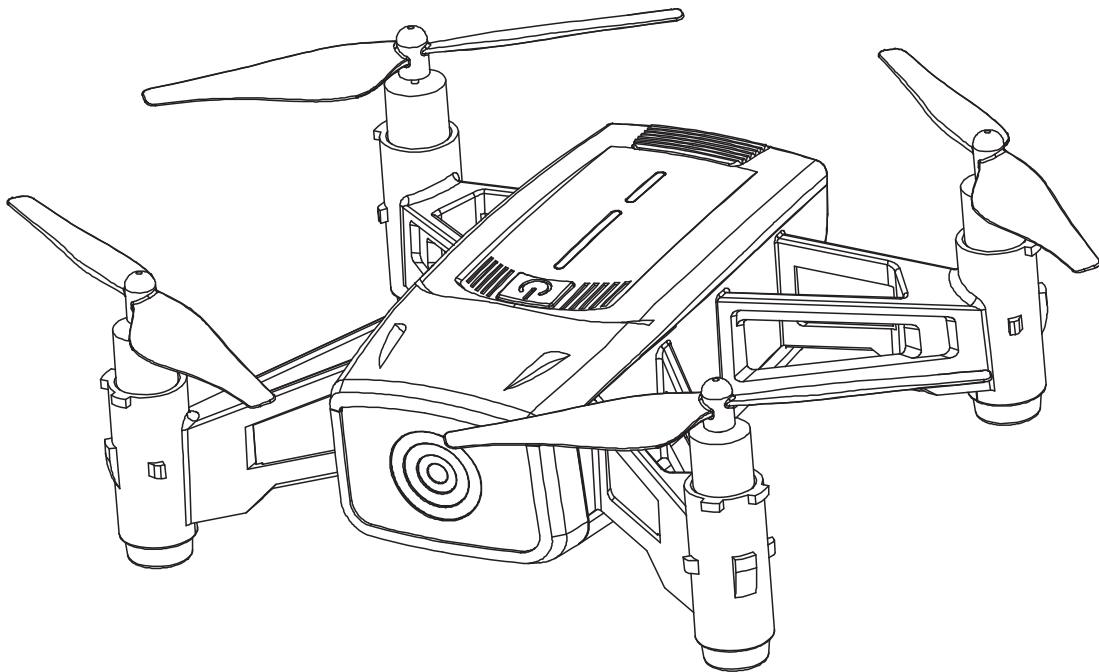


# CANARY 3 IN 1 DRONE

BATTLE-FPV-OPTICAL FLOW



## Instructions For Use V2.4



### **FORBIDDEN:**

Special design for indoor & outdoor, please keep it away from obstacle. This product is suitable for indoor (the wind grade should be not more than 4), please choose a place without obstacle, and keep distance from crowd and pets, don't play it under unsafety, for instance, heat source, wire or electronic power source in order not to be damaged by collision landing, entanglement and lead to a fire, electric shock and cause losses of lives and property.

# CONTENT

<b>1.0 Disclaimer &amp; Warnings</b>	1
<b>2.0 Safety Guidelines</b>	2-4
<b>3.0 Packing list</b>	4
<b>4.0 Drone's Details</b>	5
<b>5.0 Transmitter Functions</b>	6
<b>6.0 Joystick Mode</b>	7
<b>7.0 Installation</b>	7-11
<b>8.0 Charging</b>	12
<b>9.0 Operation Guide</b>	
9.1 Pairing	13
9.2 Download APP	14
9.3 Connect to the APP	14
9.4 Calibrating the Gyro	15
9.5 Taking-Off / Landing Method	16
<b>10.0 Function Details</b>	
10.1 LED Control	16
10.2 Taking Photos / Video Recording	17
10.3 Trimming	17
10.4 Headless Mode / Normal Mode	18
10.5 Speed Switch	19
10.6 360° Flips	19
10.7 Battle Function	20
10.8 Emergency Stop	20
<b>11.0 App Operation Instruction</b>	21-22

## 1.0 DISCLAIMER & WARNINGS

---

1. Please read this disclaimer, warnings and safety guidelines carefully before using our product. This product is not recommended for people under the age of 14. By using this product, you hereby agree to this disclaimer and signify that you have read it fully. You agree that you are responsible for your own conduct and any damaged caused while using this product, and its consequences. You agree to use this product only for purposes that are proper and in accordance with local regulations, terms and all applicable polices and guidelines we may make available.
2. When using this product, please be sure to strictly abide by the specification requirements and safety guidelines stated in this document. Any personal injury property damage, legal disputes and all other adverse events caused by the violation of the safety instructions or due to any other factor, will not be our responsibility.

### WARNINGS

- (1). The drone is designed for 14+.
- (2). Adult supervision is always advisable with any from of flying toy.
- (3). Always ensure your flight area is free of all obstacles before taking off, and ensure the drone is always flown in excess of 1.5 meters from yourself and others.
- (4). Remove all batteries from the drone and transmitter when not in use.
- (5). Never overcharge battery.
- (6). Never leave to charge battery unattended.
- (7). Never touch the drone's motors during or after as they can get hot.
- (8). Never touch the propellers when they are in rotating.
- (9). If the drone becomes damaged, stop using it immediately.
- (10). Do not dispose of any parts of the drone or transmitter in the normal rubbish, all parts should be taken to your local recycling centre.
- (11). The battery in the drone should never be exposed to any form of high temperature or disposed in a fire.

## 2.0 SAFETY GUIDELINES

### 2.1 Check Before Use

- (1). This product is not a toy, but a high precision drone that integrates various electronic stability and control mechanisms. Please be sure to set up this drone carefully and correctly to ensure safe, accident-free operation.
- (2). Please be sure that the batteries of the drone and transmitter are clean, undamaged and have enough power.
- (3). Please be sure that all the propellers are undamaged and are installed in the right orientation.
- (4). Please do a thorough check of the product before each use. Check for firmness of the parts, any signs of cracks and wear of the propeller, battery power and effectiveness of the product until all the issues have been checked completely.

### 2.2 Safe Flight Environment



1. Make sure the surrounding area is free of all people, pets or other obstacles before you start to fly your drone.
2. Your drone is designed for indoor or outdoor use. However, it is not recommended to fly the drone indoor if there is a limited space, or outdoor if there is any wind.
3. Keep a safe flight distance between you and the drone at all times.

## 2.3 Use of Battery

- (1) Please ensure batteries are fitted in the correct orientation as shown in the instruction manual.
- (2) Avoid short circuits by fitting the batteries incorrectly, and do not crush the batteries as this could cause the risk of an explosion.
- (3) Do not mix new and old batteries as this can lead to a poor performance of the product.
- (4) Dispose used batteries carefully.
- (5) Please keep dead batteries away from heat and fire.
- (6) If the device is not going to be used for a long time, remove batteries to prevent potential damage from battery leakage.
- (7) It is recommended to only use the original USB charging cable that comes with the drone to charge the battery.
- (8) Don't connect the battery directly to wall outlets or car cigarette-lighter sockets.
- (9) Don't attempt to disassemble or modify the battery in any way.
- (10) Don't use the battery if it gives off an odor, generates heat, becomes discolored or deformed, or appears abnormal in any way. If the battery is in use or being charged, remove it from the device or charger immediately and discontinue use.

**Notes:** Please ensure the batteries for the drone and the transmitter are fully charged before flight.



### Li-Po Battery Disposal & Recycling

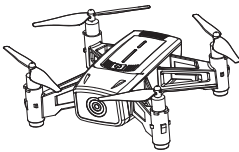
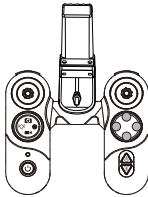
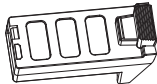

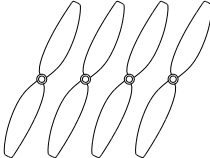
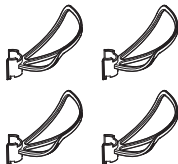
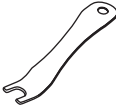

Waste Lithium-polymer batteries must not be placed with household trash. Please contact local environmental or waste agency or the supplier of your model or your nearest Li-Po battery recycling center.



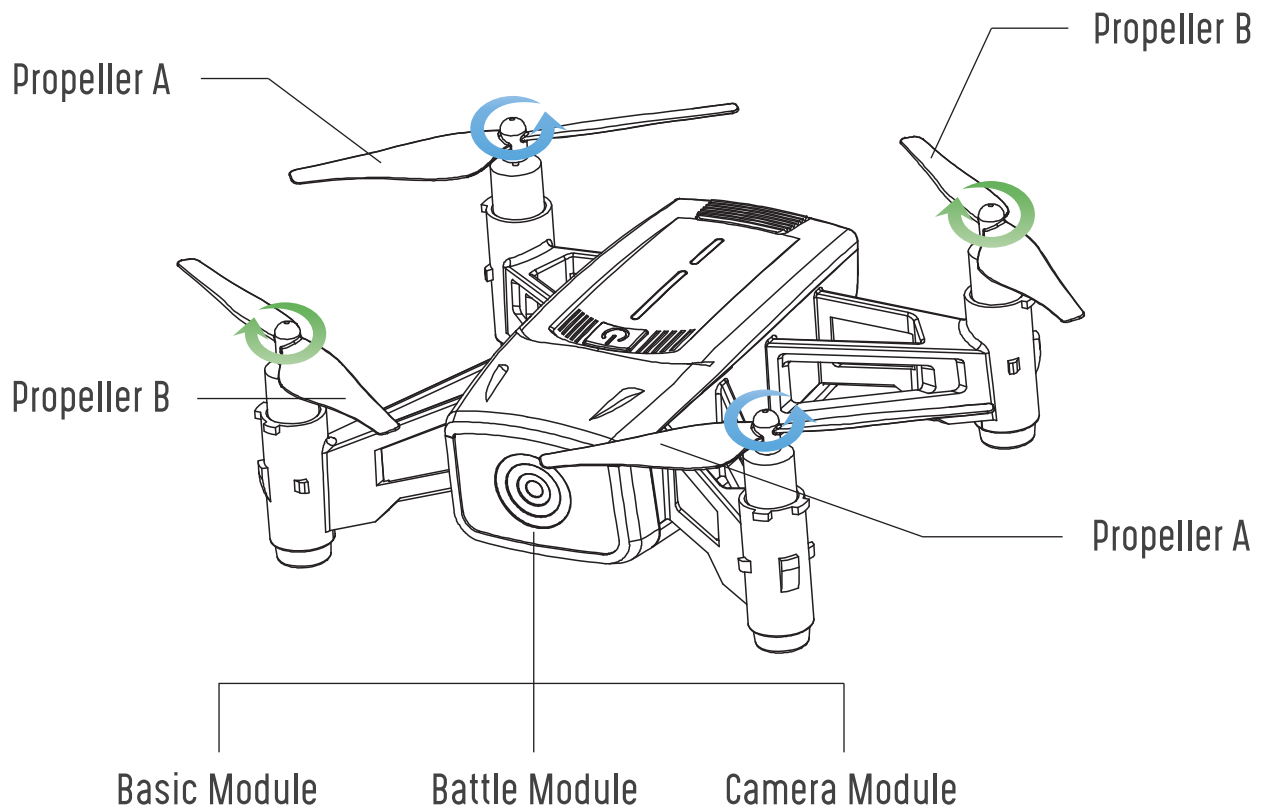
## 2.4 Maintenance

1. Clean the product after each use with a clean, soft cloth.
2. Avoid prolonged exposure to direct sunlight and avoid the buildup of heat on the drone or batteries.
3. This device is not waterproof and must not be submerged or subjected to water under any circumstance. Failure to keep the device completely dry will result in failure and permanent damage to the unit. Be aware that although it might be dry where you are, droplets of rain or mist from a river or waterfall could damage your drone where it is flying.
4. Frequently check the charging plug and other accessories for signs of damage. If any part of the device or cables is damaged, avoid the use or charging until the device can be serviced.

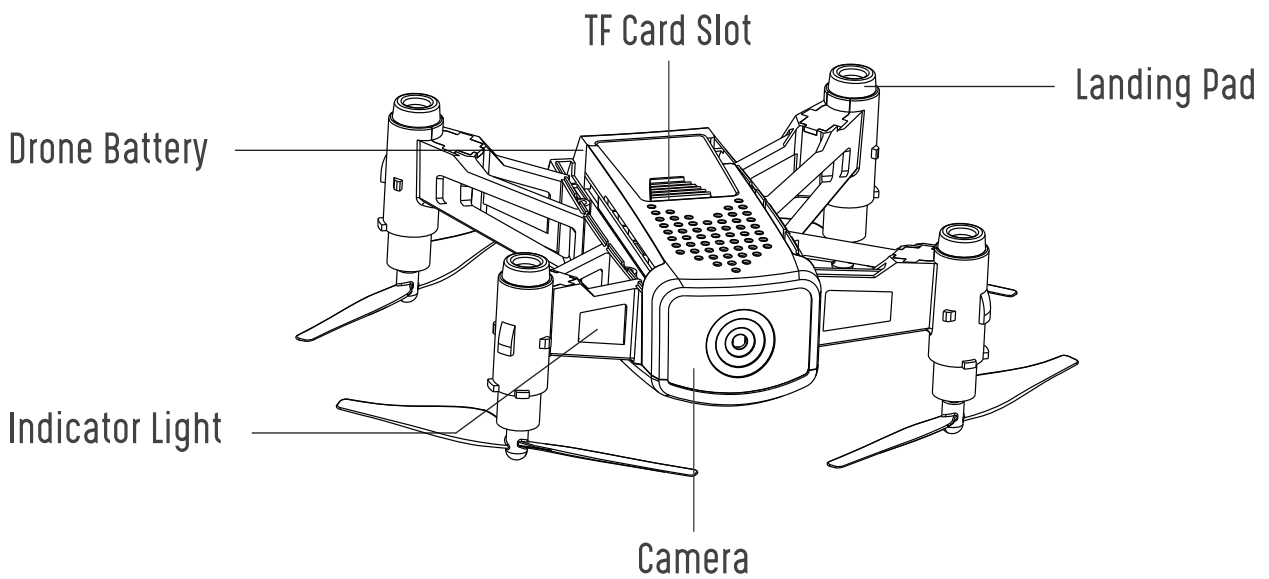
## 3.0 PACKING LIST

 x 1	 x 1	 x 1	 x 1
Drone	Transmitter	Drone Battery	USB Charger
 x 4	 x 4	 x 1	 x 1
Propellers	Protective Rings	Propeller Spanner	User Manual

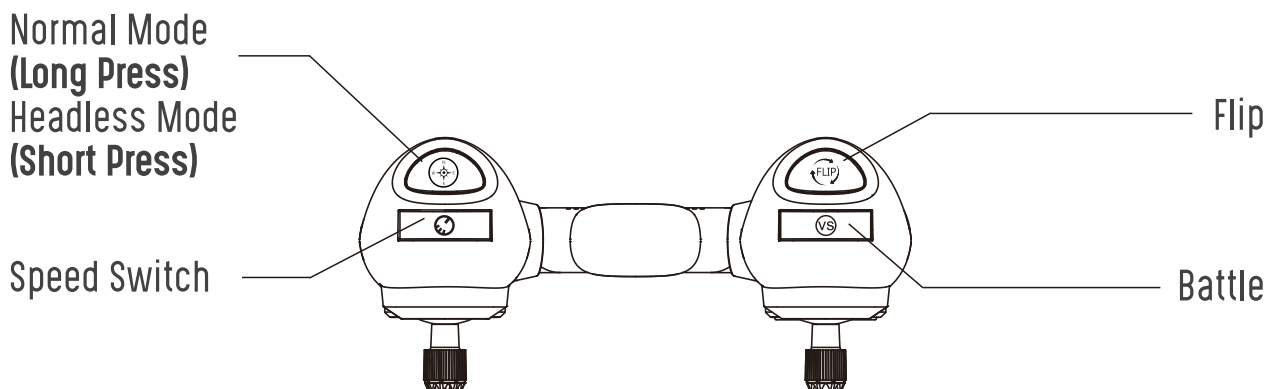
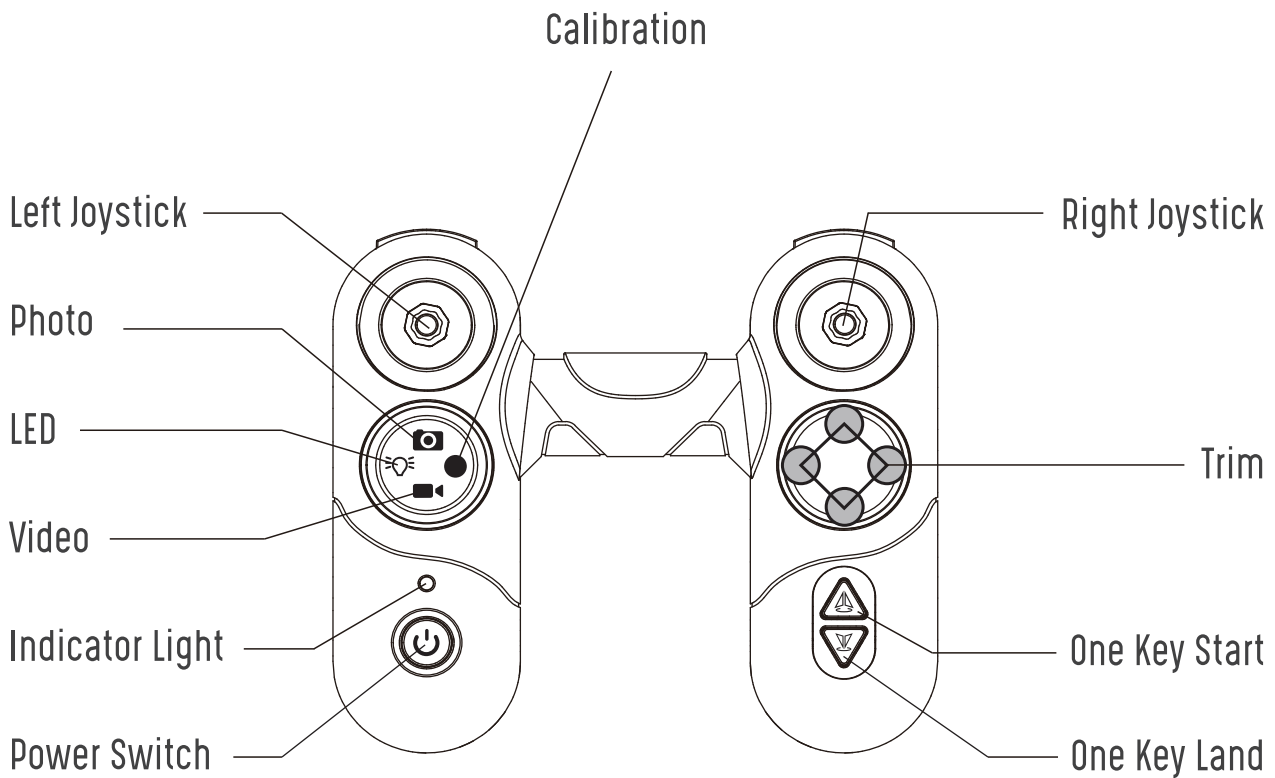
## 4.0 DRONE'S DETAILS



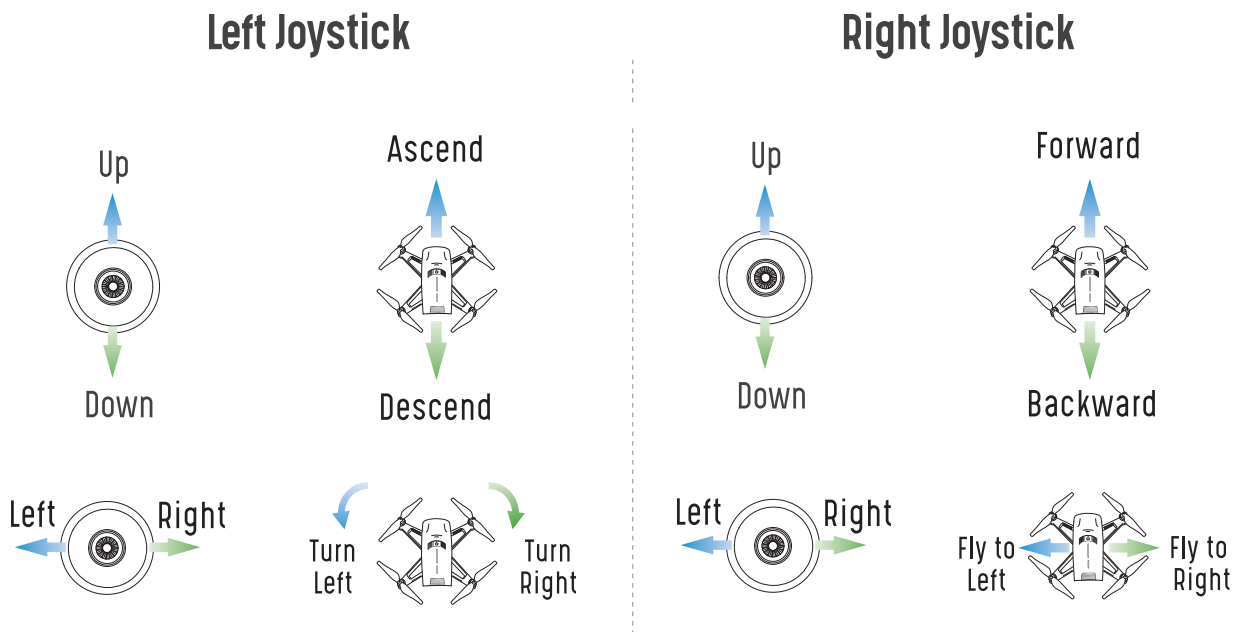
It is crucial that all the propellers are installed in the correct position (Pay attention to the letter A or B printed underneath each propeller).



# 5.0 TRANSMITTER FUNCTIONS

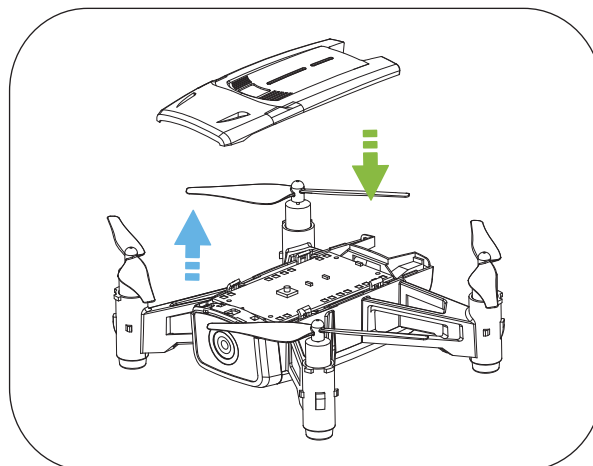


## 6.0 JOYSTICK MODE



## 7.0 INSTALLATION

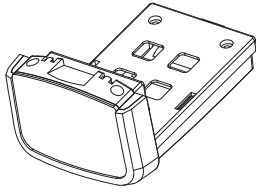
### 7.1 Drone Cover



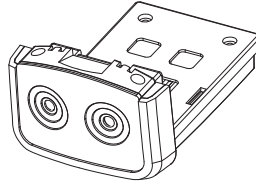
Since the upper cover and the rack are tightly matched without screws, find the gap between the upper cover and the rack from where the upper cover can be disassembled by hand or a knife, and then the upper cover can be removed for replacement.

## 7.2 Drone Function Modules

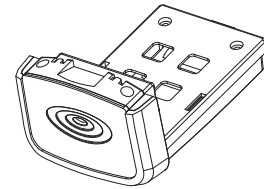
The drone contains a total of three modules, the basic module, battle module and camera module.



Basic Module

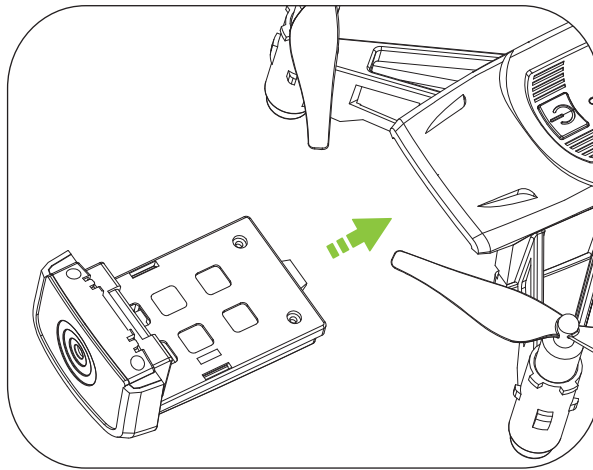


Battle Module



Camera Module

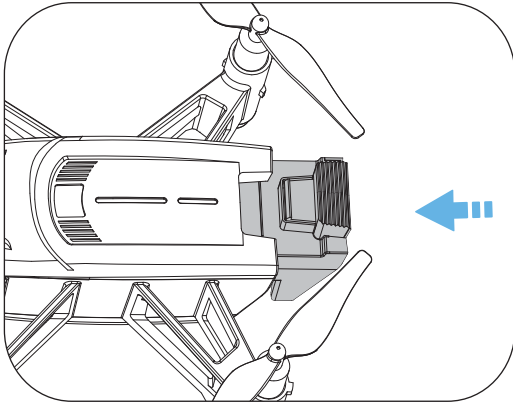
- (1) When the drone is equipped with the basic module, the drone has only basic functions and is suitable for operator to practice flying.
- (2) When the drone is equipped with the battle module, the drone will have the battle function, which is suitable for 2 or more operators to compete with each other.
- (3) When the drone is equipped with the camera module, the drone can perform functions such as photography / video / FPV flying, etc.



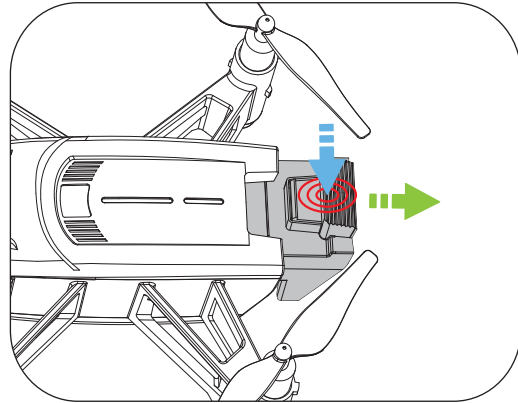
**Installation:** Point the module connector upwards, align it with the interface under the nose of the drone, and slide it into the middle of the bottom section of the drone until a crisp "snap" is heard to indicate the success of assembly.

**Removal:** Press and hold the release button of the module at the bottom of the drone, and gently slide outward to remove the module.

## 7.3 Drone Battery



**Installation:** Push the battery correctly into the drone battery compartment. Make sure that you hear a click sound indicating the battery is firmly installed.



**Removal:** Press the lock button on the battery and pull it back to remove the battery from the compartment.



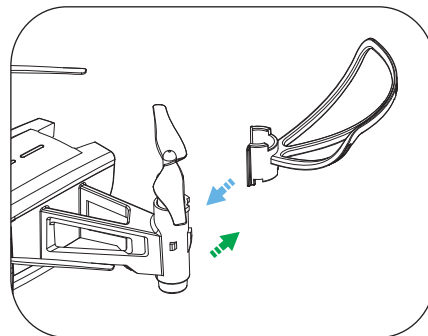
The battery should be installed firmly, failure to do so may affect the flight safety of your drone.

---

## 7.4 Protective Rings

**Installation:** Insert the protective ring diagonally into the side of the motor base and get it connected with the buckle.

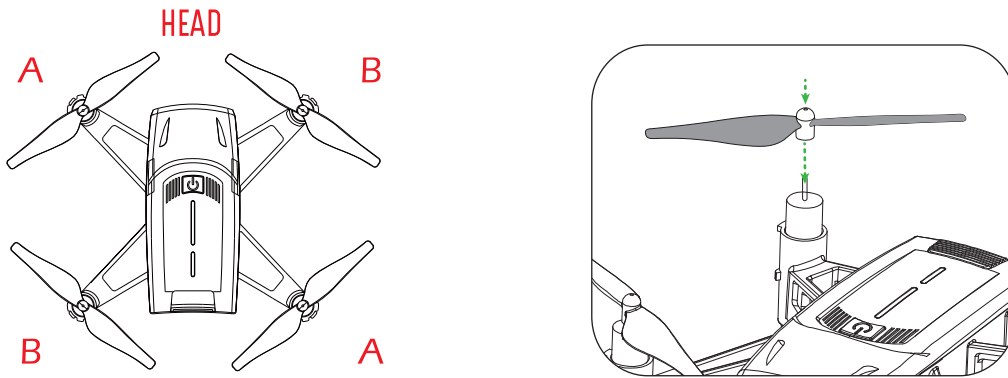
**Removal:** Pull the protective ring out from the motor base gently.



**WARNING**

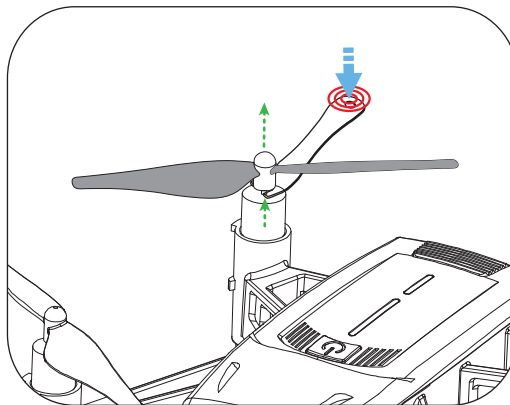
Note: Operators are strongly advised to install protective rings during flight. It can protect the safety of the drone propellers and the motors.

## 7.5 Propellers



**Installation:** As shown above, connect each propeller to its corresponding motor shaft, either position "A/B", then lock the propeller to the motor shaft.

**Attention:** Pay attention to the "A" or "B" is printed on each propeller. The drone will not fly unless the correct propeller is installed on the correct motor shaft.

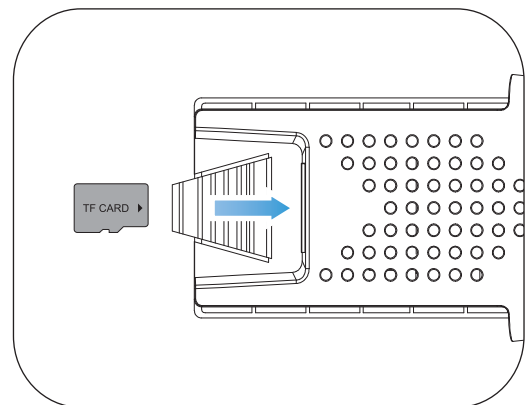


**Removal:** For propeller removal, use a propeller spanner (provided) to remove propellers. Be sure to hold the motor while detaching the propellers.

## 7.6 TF Card

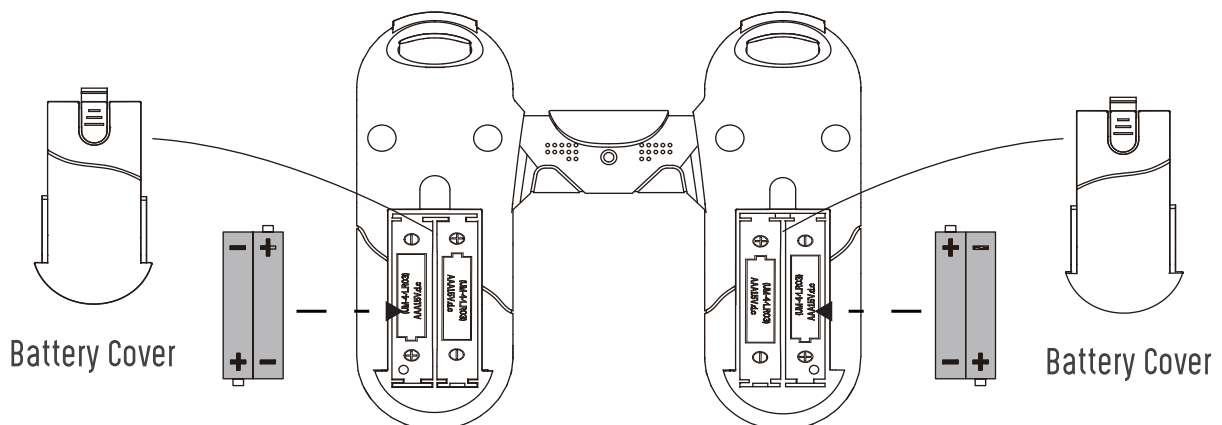
To store your photos and videos, insert the TF card (not included) into the slot as shown above before turning on the drone.

The drone supports TF card up to 128 GB.



---

## 7.7 Transmitter Battery



4 x AAA batteries (not included)

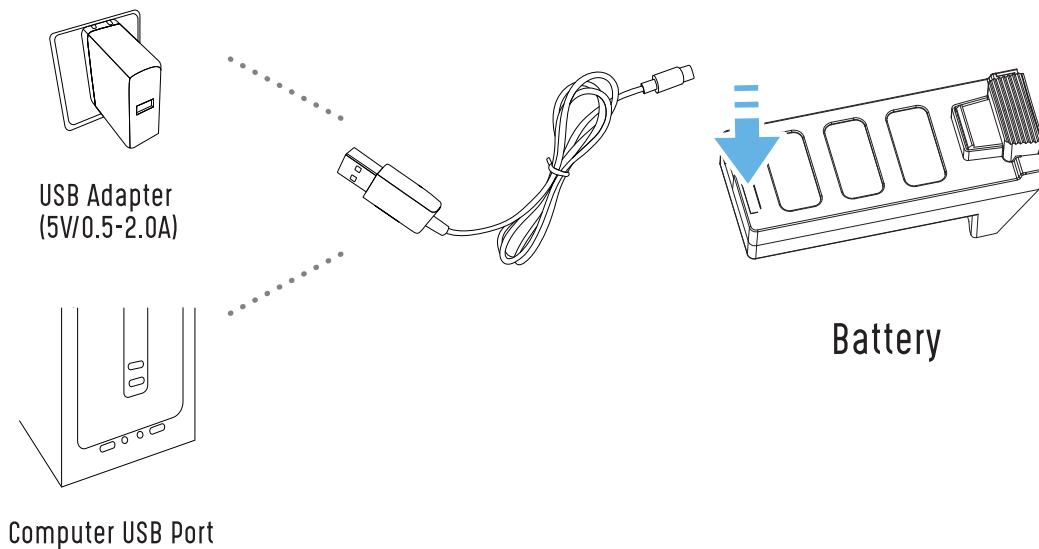


**Always use alkaline batteries, never mix old and new batteries.**

1. Press and slide the battery cover out, and insert 4 x AAA batteries(not included), make sure to insert them following the correct polarity as shown.
2. Re-attach the battery cover.

## 8.0 CHARGING

### 8.1 Drone Battery



1. Remove the battery from the drone and insert the charging wire into the battery charging slot.
2. Connect the USB charging cable with a power bank or a USB adapter(5V/2.0A) for charging.
3. When the battery is charging, the USB indicator will glow red.
4. The red light will go out when the battery is fully charged.



Before charging, please read the instruction of the "2.3 Use of Battery" section of the "Safety Guidelines" carefully!

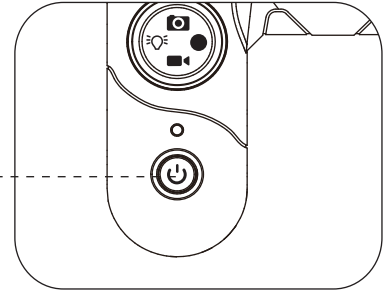
## 9.0 OPERATION GUIDE

### 9.1 Pairing

(1). Short press the power button to turn on the transmitter and it will beep once and its indicator light flashes.

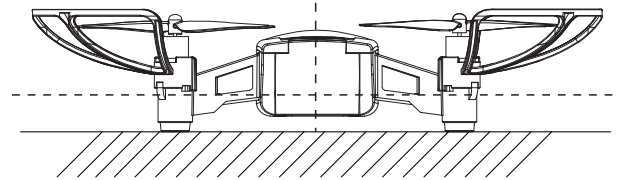


Power Button



(2). Place the drone on a flat and level surface with the head forward and the tail facing towards the operator.

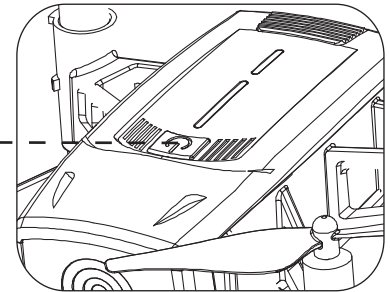
HEAD



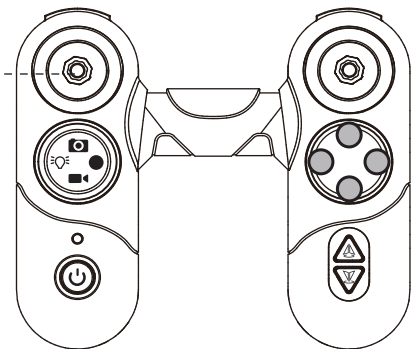
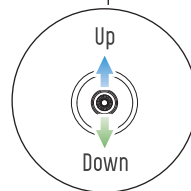
(3). Long press the power button to turn on the drone, the indicator lights on the drone will flash.



Long Press



(4). Slowly push the left joystick of the transmitter up to the top and transmitter will beep once and then pull down to the bottom and transmitter will beep once again. Pairing is completed once the drone lights and transmitter light stop flashing.



## 9.2 Download APP



## 9.3 Connect to the APP

Connect your smartphone to the WiFi network created by the drone.

To check the drone's status in the APP.

- (1). Open your phone's Wi-Fi settings and click Wi-Fi to search for the Wi-Fi of the drone.
- (2). Select the Wi-Fi network: Canary-\*\*\*\*\*.
- (3). Wait for a couple of seconds for your phone to connect to the drone's Wi-Fi.
- (4). Open the application.
- (5). Choose corresponding drone and click " GO " button to enter the operation interface of the APP.

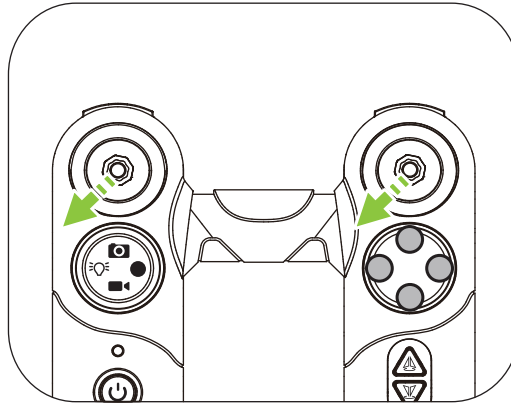


**WARNING**

**If app does not display images after connecting to the drone's WIFI, please turn off the local (3G/4G/5G) network of the smartphone firstly.**

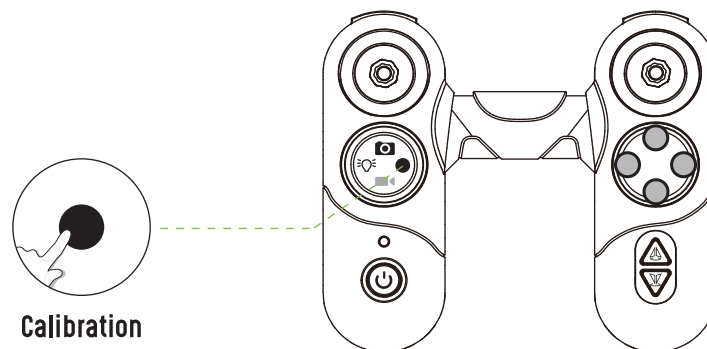
## 9.4 Calibrating the Gyro

### Method 1



After pairing, pull both left and right joysticks of transmitter to the lowest left corners at the same time. This will reset the drone to its original factory settings and will be ready to fly again.

### Method 2



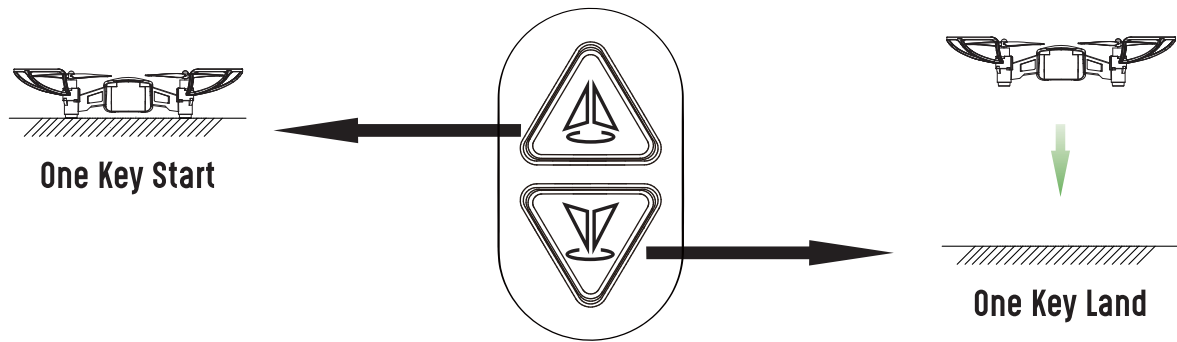
Press this button to calibrate the gyro.



The indicator lights on the drone will blink and turn solid which means calibration is completed.

### **ATTENTION:**

When the flight of the drone is unstable or deviated from the left and right after taking-off, correct the gyroscope and the flight will be more stable after the correction.

## 9.5 Taking-Off / Landing Method



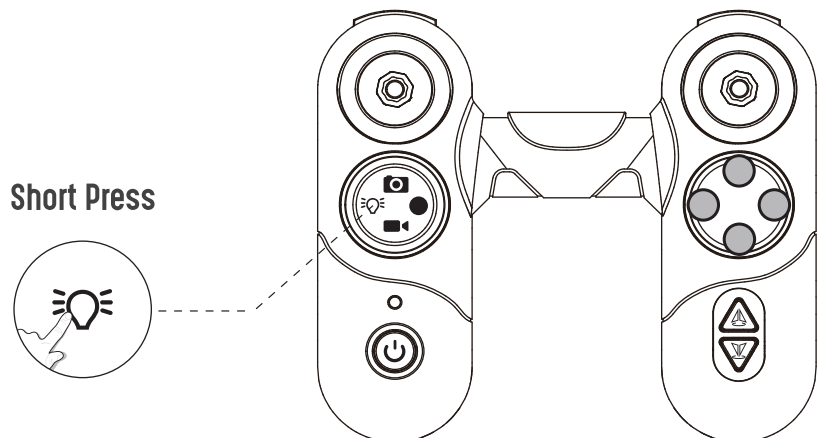
Method 1. Short press the one key start button "  ", the propellers of drone will rotate without taking off, push up the left joystick to take off.  
Short press the one key land button "  ", the drone will land slowly until landing.

Method 2. Push the left joystick up until the propellers of drone rotate without taking off and then push up the left joystick again to take off.  
Pull the left joystick down until landing.

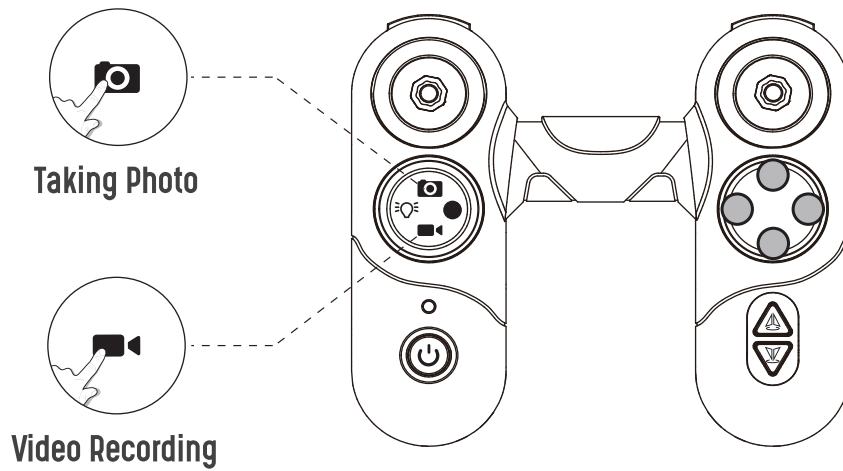
## 10.0 FUNCTION DETAILS

### 10.1 LED Control

**Short Press:** Short press the LED button to turn on/off the LED lights of drone.



## 10.2 Taking Photos / Video Recording



**Taking Photo:** Press once to take a picture.

**Video Recording:** Press once to start recording video, press again to stop recording.

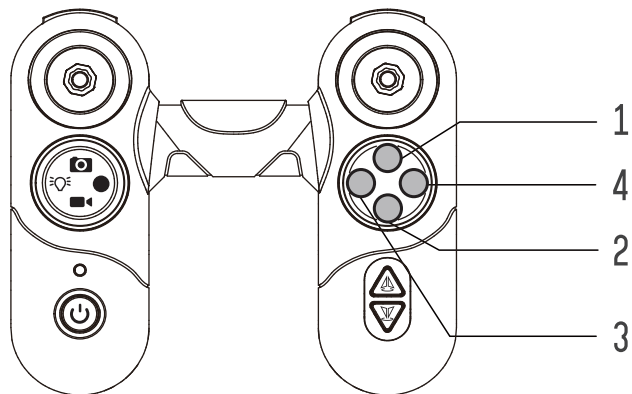


**Note:** The photo/video function button only works after the camera module is installed. The buttons are non-functional for the basic module and the battle module.

## 10.3 Trimming

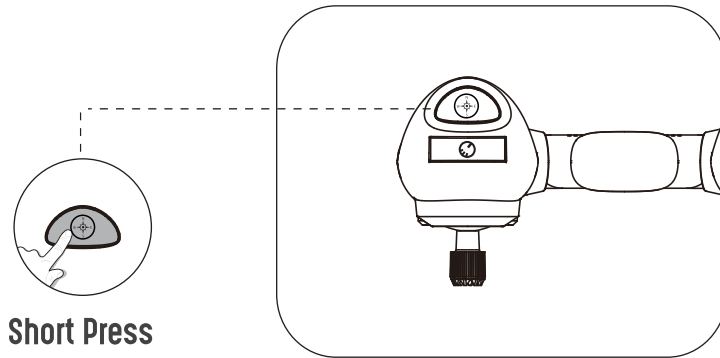
If the drone sways in an unprompted direction, use the trim buttons to correct the flight:

- 1- Forward Trim
- 2- Backward Trim
- 3- Left Trim
- 4- Right Trim



## 10.4 Headless Mode / Normal Mode

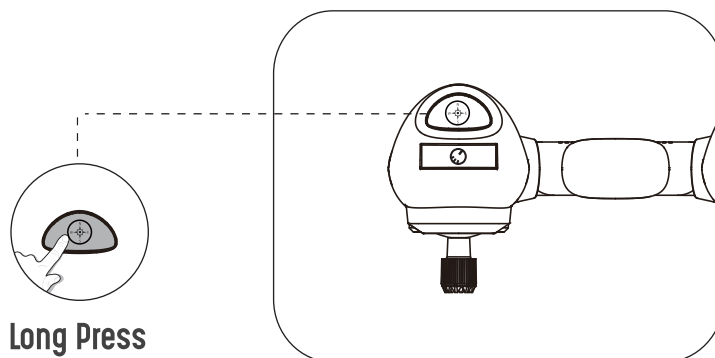
### (1) Headless Mode



To activate headless mode, short press "headless" button, the transmitter will beep and indicator lights on drone will flash, and the drone will fly in the desired selected direction, regardless of the direction the drone is facing.

Press the headless button again to exist headless mode.

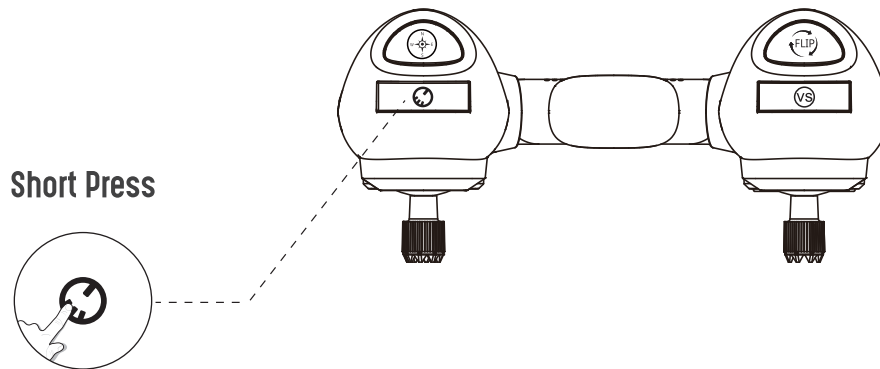
### (2) Normal Mode



Long press the normal mode button to enter the altitude hold mode and exit the optical flow mode.

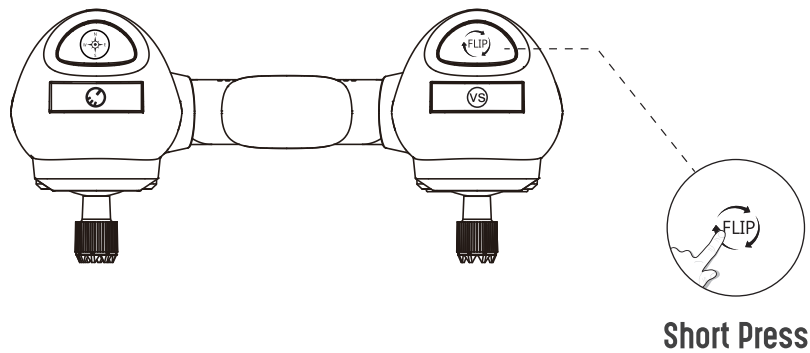
Long press the normal mode button to re-enter the optical flow mode.

## 10.5 Speed Switch



Press the speed switch button to switch high or low speed mode freely.

## 10.6 360° Flips



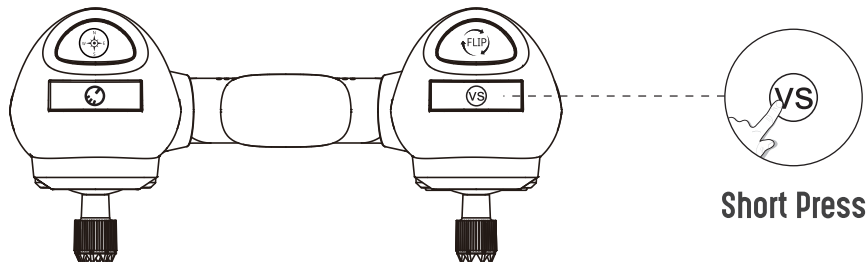
Perform 360° flips by pressing the "flip" button and immediately operate the right joystick in the desired direction.



**Note:** The flip button only works for drone equipped with the basic module or the battle module, the camera module does not have this function.

## 10.7 Battle Function

This drone is a battle drone, press the battle button during flight to shoot other battle drones. One beep sound will be heard from the transmitter, and also the front blue lights will blink once from the drone, that means an infrared bullet is launched once.



Shot chance and performance:

When the battle drone get 1st shot, it will sway for 2-3 seconds, get 2nd shot, it will contra rotate for 2-3 seconds, get 3rd shot, it will vertically flip left once and flip right once, get 4th shot, it will spiral down to the ground, game over. After 2-3 seconds, this battle drone could fly up again to have a new battle.

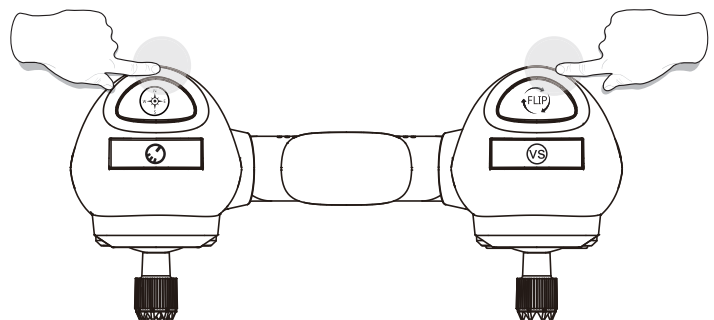


**WARNING**

Note: The battle function button only has function after the battle module is installed. This button will be non-functional for the basic module and the camera module.

## 10.8 Emergency Stop

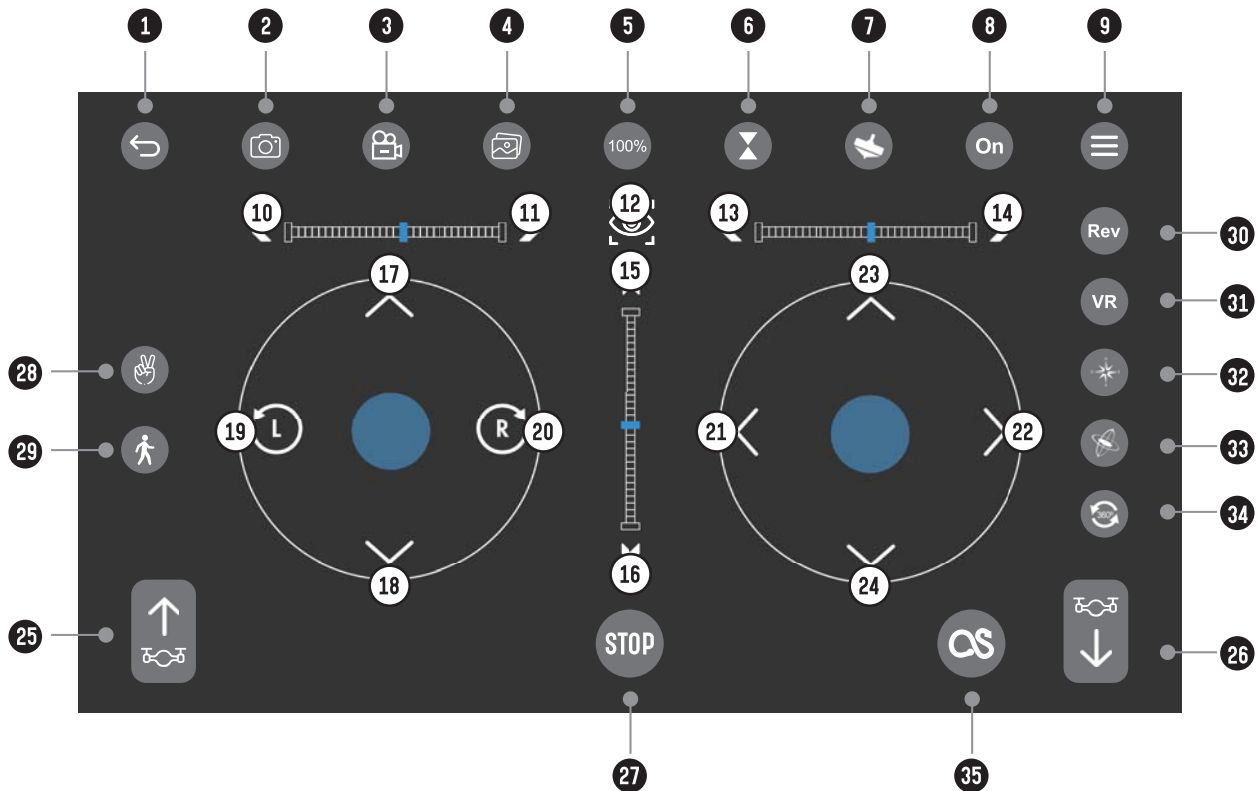
Press the above two buttons on the transmitter at the same time, the motors will stop rotating immediately.



**WARNING**


Only stop motors mid-flight in an emergency situation, doing so to reduce the risk of damage or injury.


# 11.0 APP OPERATION INSTRUCTION



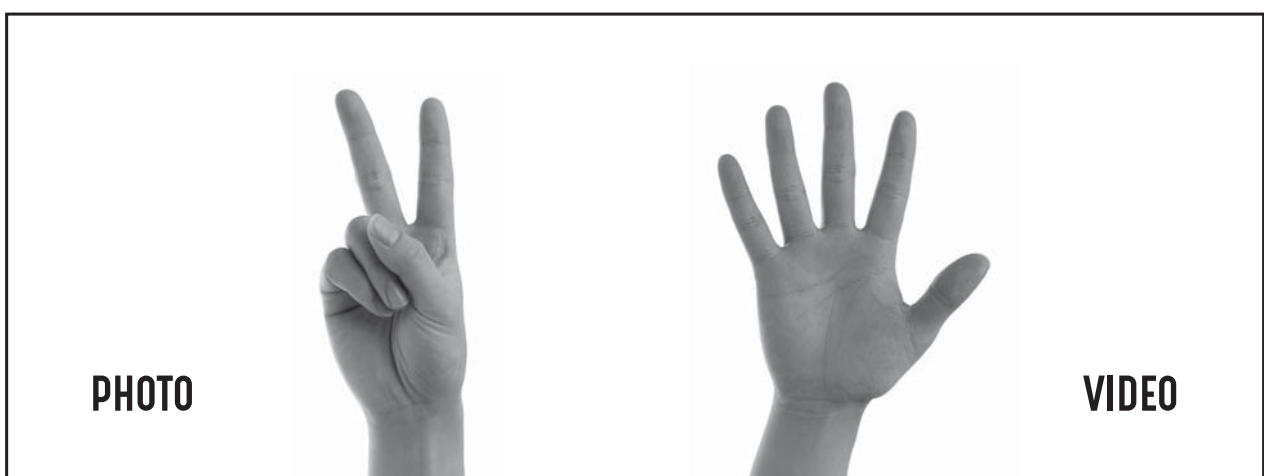
- |  |                           |
|--|---------------------------|
| 1. Return                                  | 17/18. Up / Down          |
| 2. Take photo                              | 19/20. Turn Left / Right  |
| 3. Record video                            | 21/22. Left / Right       |
| 4. Photo&video playback                    | 23/24. Forward / Backward |
| 5. Speed: Slow 30%<br>Quick 60%, High 100% | 25. One Key Take-off      |
| 6. Altitude Hold                           | 26. One Key Land          |
| 7. Gravity sensor mode                     | 27. Emergency Stop        |
| 8. Show / Hide control interface           | 28. Gesture Photo / Video |
| 9. Display Settings Menu                   | 29. Face Recognition      |
| 10/11. Turn Left / Right Trim              | 30. Reverse Screen        |
| 12. Trim Switch                            | 31. 3D Display            |
| 13/14. Left / Right Trim                   | 32. Headless Mode         |
| 15/16. Forward / Backward Trim             | 33. Gyro Calibration      |
|  | 34. 360° Flip             |
|  | 35. Route Flying          |

## 11.1 Gesture Photography


Gesture Photo: Click the "  " icon, perform the Victory gesture within 3m of the drone while facing toward the camera and it will take a selfie.

Gesture Video: Click the "  " icon, perform the High Five gesture within 3m of the drone while facing toward the camera to start recording the video.

Perform the same gesture again to stop.




## 11.2 Face Recognition

Click the face recognition "  " icon, draw a rectangular frame in the yellow dotted box to select a target, click the GO button to start following, the drone will track the target as the target moves.

(The drone should be at a constant speed during the following process)

## 11.3 Route Flying

Click the route flying "  " icon, draw a flight route on the APP interface, the drone will fly following the corresponding route.



MADE IN CHINA