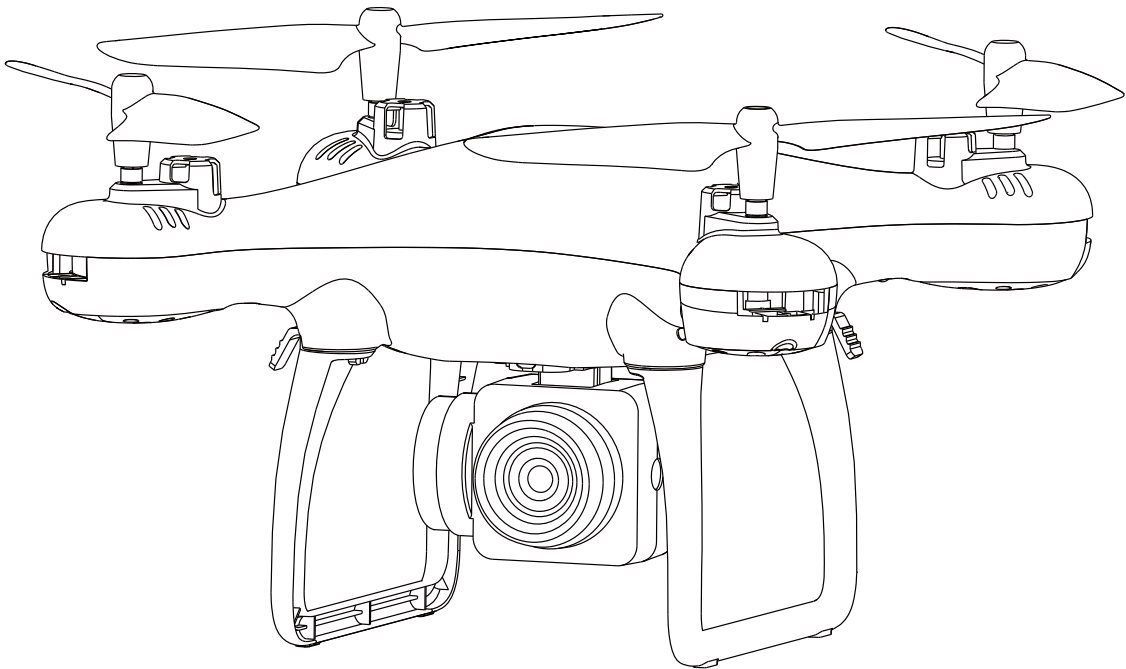


FIREFLY I&II



Instructions For Use V2.4



FORBIDDEN:

Special design for indoor & outdoor, please keep it away from obstacle.

This product is suitable for indoor (the wind grade should be not more than 4), please choose a place without obstacle, and keep distance from crowd and pets, don't play it under unsafety, for instance, heat source, wire or electronic power source in order not to be damaged by collision landing, entanglement and lead to a fire, electric shock and cause losses of lives and property.

CONTENT

1.0 Disclaimer & Warnings	1
2.0 Safety Guidelines	2-4
3.0 Packing list	4
4.0 Drone's Details	5
5.0 Transmitter Functions	6
6.0 Joystick Mode	7
7.0 Installation	7-10
8.0 Charging	11
9.0 Operation Guide	
9.1 Pairing	12
9.2 Download APP	13
9.3 Connect to the APP	13
9.4 Calibrating the Gyro	14
9.5 Taking-Off / Landing Method	14
10.0 Function Details	
10.1 Taking Photos / Video Recording	15
10.2 Emergency Stop	15
10.3 Trimming	16
10.4 Headless Mode	16
10.5 Speed Switch	17
10.6 Auto Return	17
10.7 360° Flips	17
11.0 App Operation Instruction	18

1.0 DISCLAIMER & WARNINGS

1. Please read this disclaimer, warnings and safety guidelines carefully before using our product. This product is not recommended for people under the age of 14. By using this product, you hereby agree to this disclaimer and signify that you have read it fully. You agree that you are responsible for your own conduct and any damaged caused while using this product, and its consequences. You agree to use this product only for purposes that are proper and in accordance with local regulations, terms and all applicable polices and guidelines we may make available.
2. When using this product, please be sure to strictly abide by the specification requirements and safety guidelines stated in this document. Any personal injury property damage, legal disputes and all other adverse events caused by the violation of the safety instructions or due to any other factor, will not be our responsibility.

WARNINGS

- (1). The drone is designed for 14+.
- (2). Adult supervision is always advisable with any from of flying toy.
- (3). Always ensure your flight area is free of all obstacles before taking off, and ensure the drone is always flown in excess of 1.5 meters from yourself and others.
- (4). Remove all batteries from the drone and transmitter when not in use.
- (5). Never overcharge battery.
- (6). Never leave to charge battery unattended.
- (7). Never touch the drone's motors during or after as they can get hot.
- (8). Never touch the propellers when they are in rotating.
- (9). If the drone becomes damaged, stop using it immediately.
- (10). Do not dispose of any parts of the drone or transmitter in the normal rubbish, all parts should be taken to your local recycling centre.
- (11). The battery in the drone should never be exposed to any form of high temperature or disposed in a fire.

2.0 SAFETY GUIDELINES

2.1 Check Before Use

- (1). This product is not a toy, but a high precision drone that integrates various electronic stability and control mechanisms. Please be sure to set up this drone carefully and correctly to ensure safe, accident-free operation.
- (2). Please be sure that the batteries of the drone and transmitter are clean, undamaged and have enough power.
- (3). Please be sure that all the propellers are undamaged and are installed in the right orientation.
- (4). Please do a thorough check of the product before each use. Check for firmness of the parts, any signs of cracks and wear of the propeller, battery power and effectiveness of the product until all the issues have been checked completely.

2.2 Safe Flight Environment



1. Make sure the surrounding area is free of all people, pets or other obstacles before you start to fly your drone.
2. Your drone is designed for indoor or outdoor use. However, it is not recommended to fly the drone indoor if there is a limited space, or outdoor if there is any wind.
3. Keep a safe flight distance between you and the drone at all times.

2.3 Use of Battery

- (1) Please ensure batteries are fitted in the correct orientation as shown in the instruction manual.
- (2) Avoid short circuits by fitting the batteries incorrectly, and do not crush the batteries as this could cause the risk of an explosion.
- (3) Do not mix new and old batteries as this can lead to a poor performance of the product.
- (4) Dispose used batteries carefully.
- (5) Please keep dead batteries away from heat and fire.
- (6) If the device is not going to be used for a long time, remove batteries to prevent potential damage from battery leakage.
- (7) It is recommended to only use the original USB charging cable that comes with the drone to charge the battery.
- (8) Don't connect the battery directly to wall outlets or car cigarette-lighter sockets.
- (9) Don't attempt to disassemble or modify the battery in any way.
- (10) Don't use the battery if it gives off an odor, generates heat, becomes discolored or deformed, or appears abnormal in any way. If the battery is in use or being charged, remove it from the device or charger immediately and discontinue use.

Notes: Please ensure the batteries for the drone and the transmitter are fully charged before flight.



Li-Po Battery Disposal & Recycling


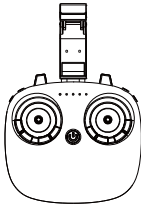
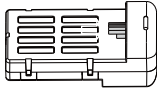
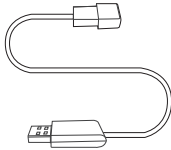
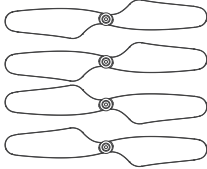
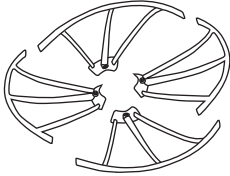
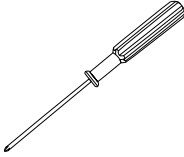

Waste Lithium-polymer batteries must not be placed with household trash. Please contact local environmental or waste agency or the supplier of your model or your nearest Li-Po battery recycling center.



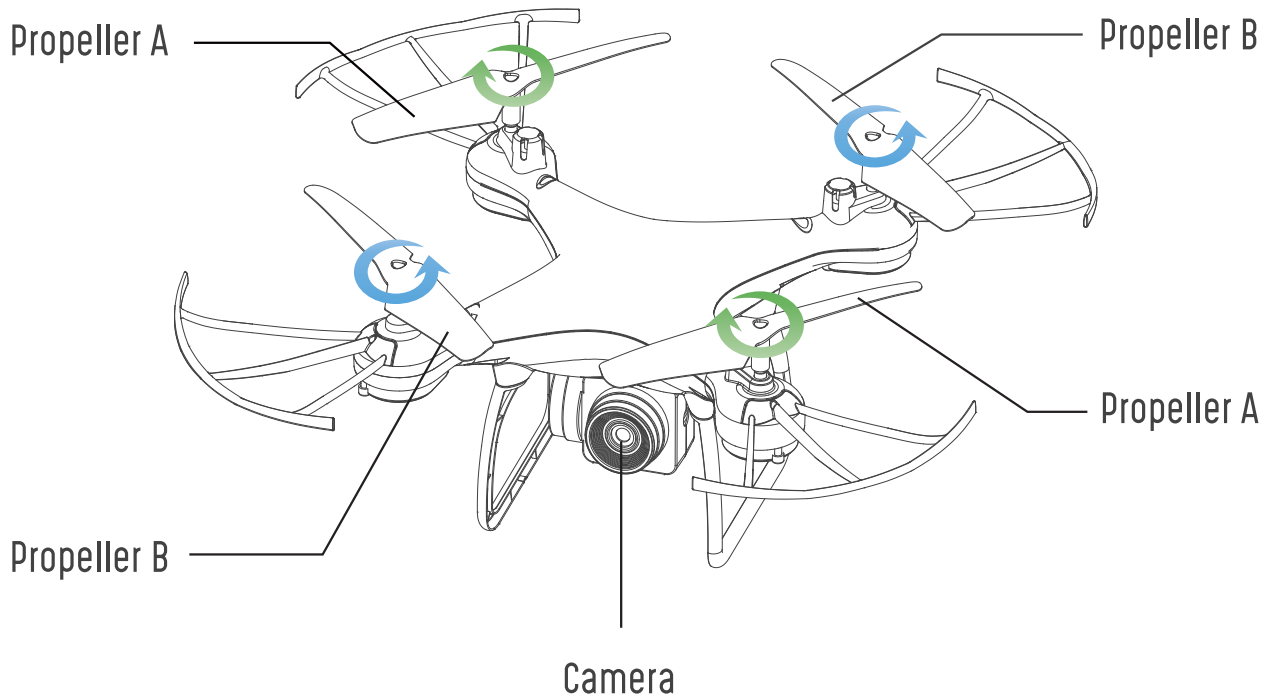
2.4 Maintenance

1. Clean the product after each use with a clean, soft cloth.
2. Avoid prolonged exposure to direct sunlight and avoid the buildup of heat on the drone or batteries.
3. This device is not waterproof and must not be submerged or subjected to water under any circumstance. Failure to keep the device completely dry will result in failure and permanent damage to the unit. Be aware that although it might be dry where you are, droplets of rain or mist from a river or waterfall could damage your drone where it is flying.
4. Frequently check the charging plug and other accessories for signs of damage. If any part of the device or cables is damaged, avoid the use or charging until the device can be serviced.

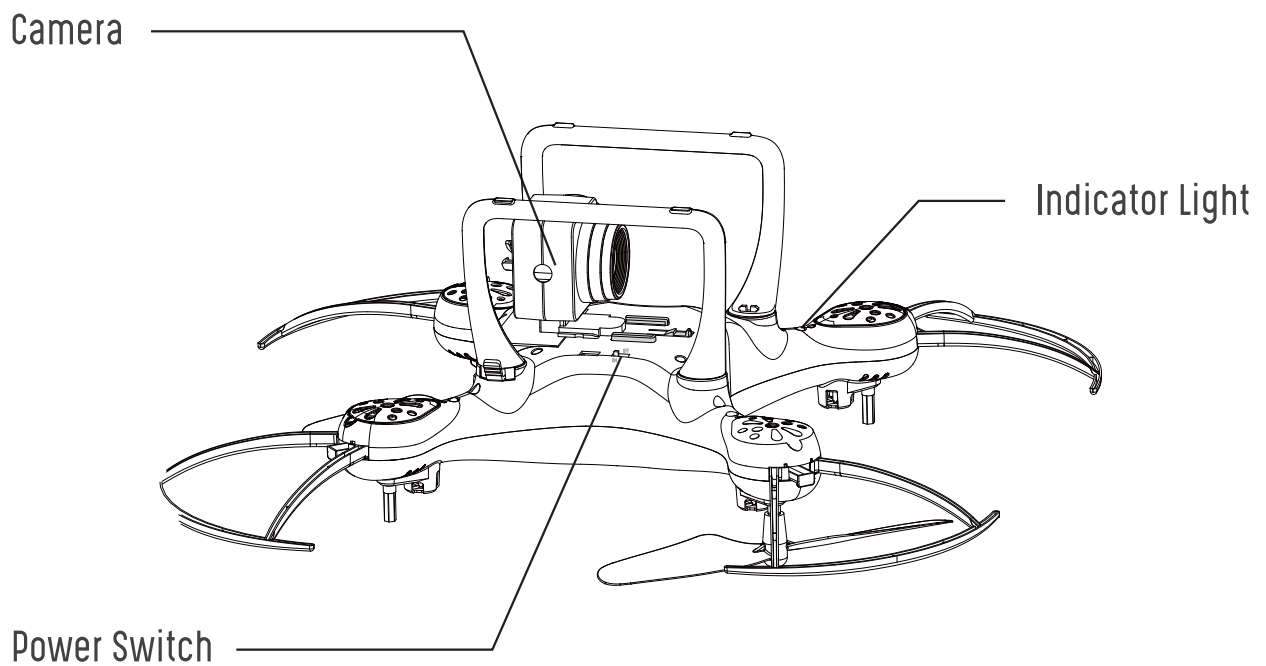
3.0 PACKING LIST

 x 1	 x 1	 x 1	 x 1
Drone	Transmitter	Drone Battery	USB Charger
 x 4	 x 4	 x 1	 x 1
Propellers	Protective Rings	Screwdriver	User Manual

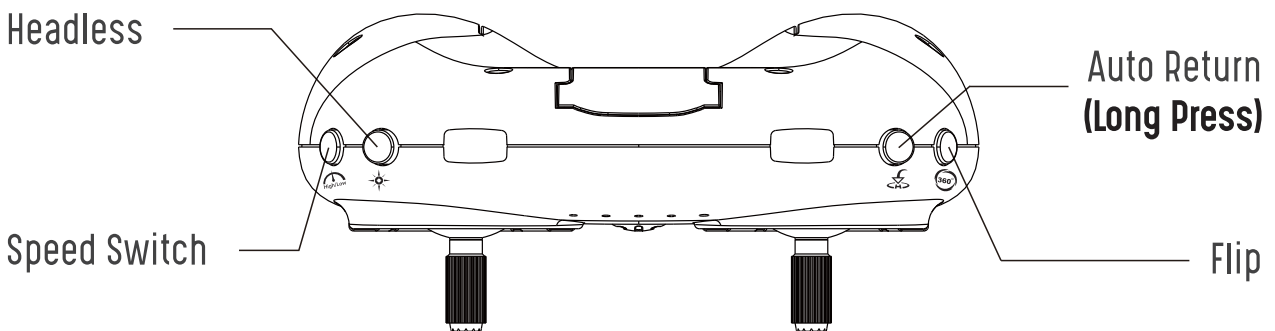
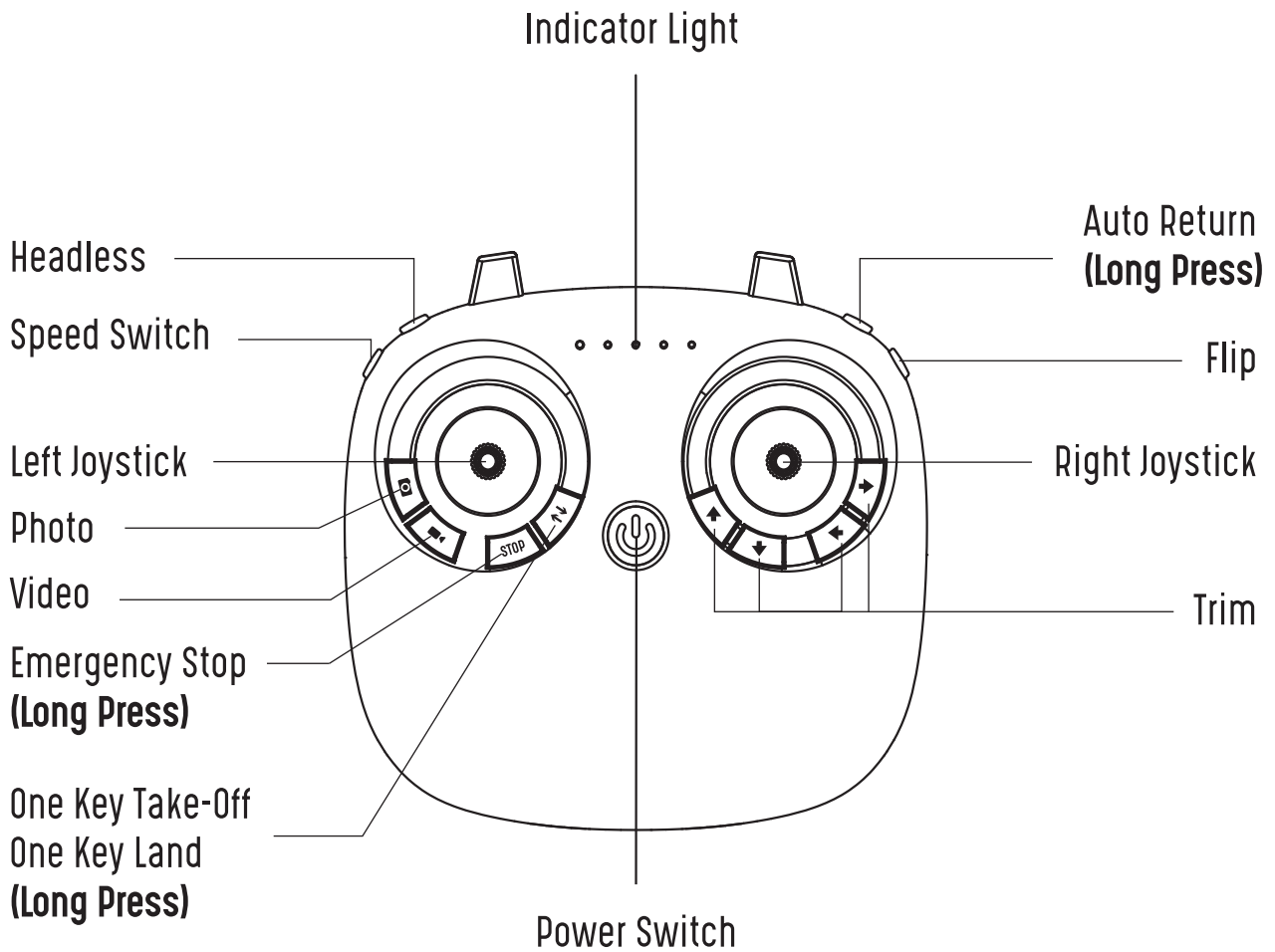
4.0 DRONE'S DETAILS



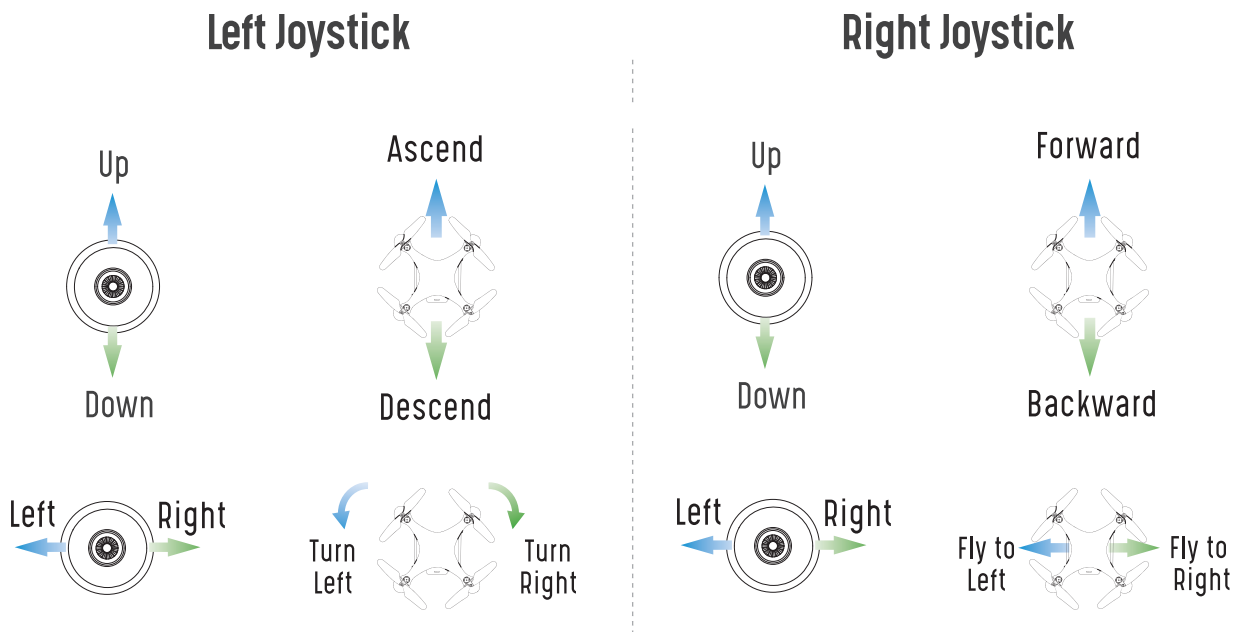
It is crucial that all the propellers are installed in the correct position (Pay attention to the letter A or B printed underneath each propeller).



5.0 TRANSMITTER FUNCTIONS



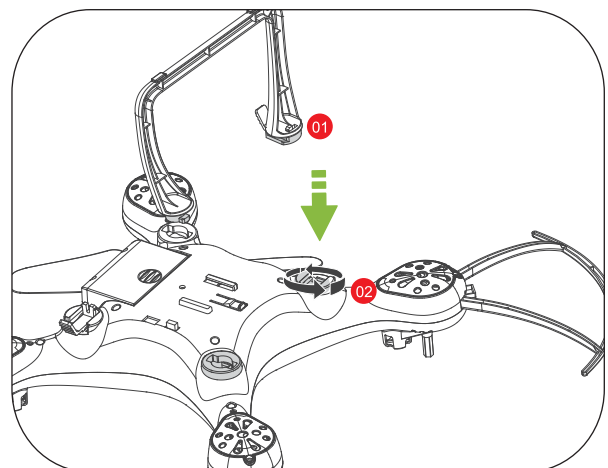
6.0 JOYSTICK MODE



7.0 INSTALLATION

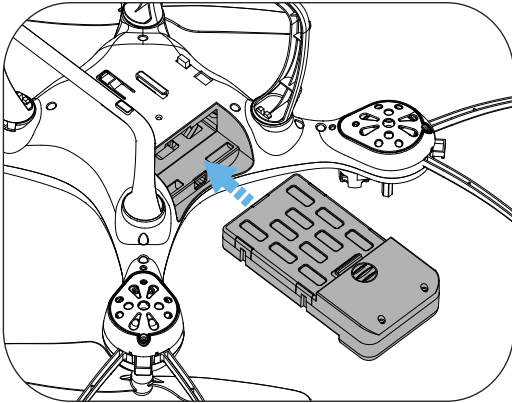
7.1 Landing Gears

Installation: Firstly, install one end of the landing gear into cross groove into the drone arm, then rotate the landing gear clockwise to slide the other end of the landing gear into the slot.

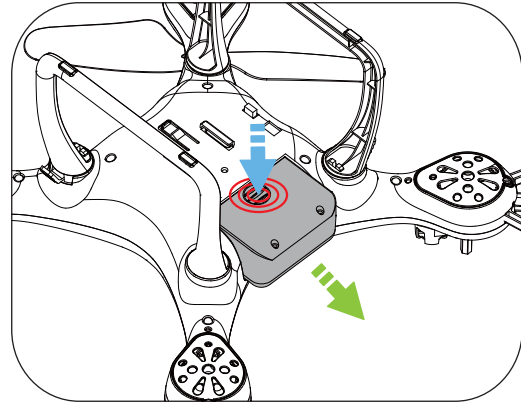


Removal: Slide one end of the landing gear out the slot and rotate counter-clockwise, then remove the other end of landing gear from cross groove of the drone arm.

7.2 Drone Battery



Installation: Push the battery correctly into the drone battery compartment. Make sure that you hear a click sound indicating the battery is firmly installed.



Removal: Press the lock button on the battery and pull it back to remove the battery from the compartment.

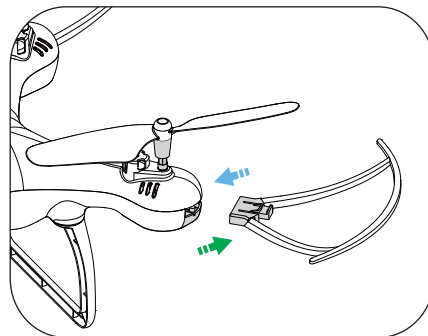


The battery should be installed firmly, failure to do so may affect the flight safety of your drone.

7.3 Protective Rings

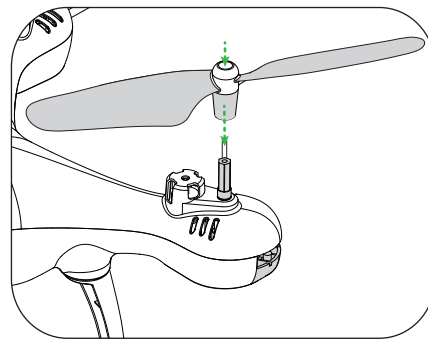
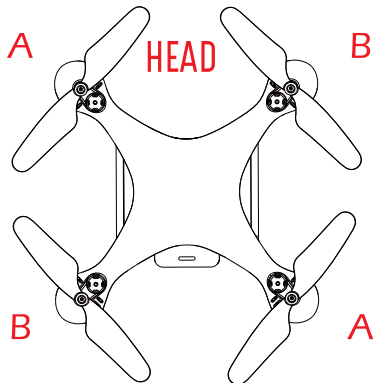
Installation: Insert the protective ring diagonally into the side of the motor base and get it connected with the buckle.

Removal: Press the release button on protective ring and pull it out from the motor base gently.



Note: Operators are strongly advised to install protective rings during flight. It can protect the safety of the drone propellers and the motors.

7.4 Propellers

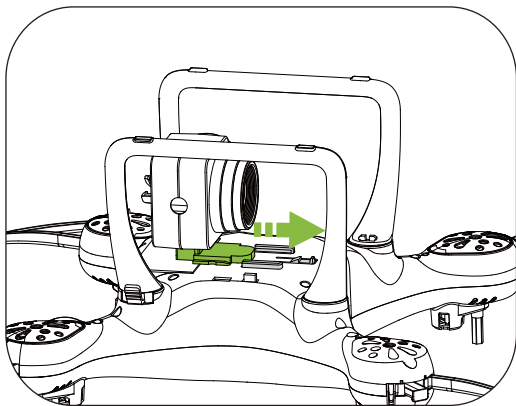


Installation: As shown above, connect each propeller to its corresponding motor shaft, either position "A/B", then lock the propeller to the motor shaft.

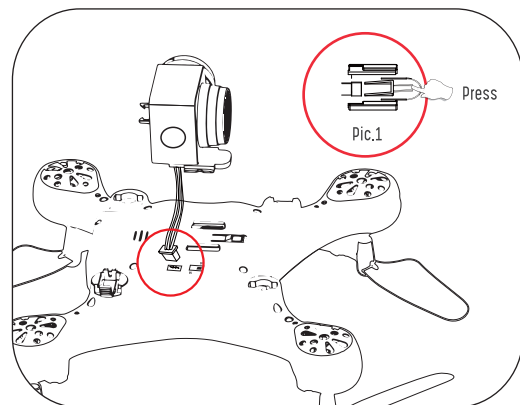
Removal: Use a screwdriver (provided) to remove propellers in counter-clockwise.

Attention: Pay attention to the "A" or "B" is printed on each propeller. The drone will not fly unless the correct propeller is installed on the correct motor shaft.

7.5 Insert The Camera

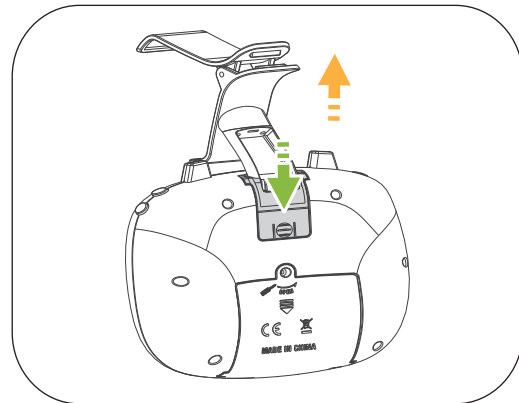
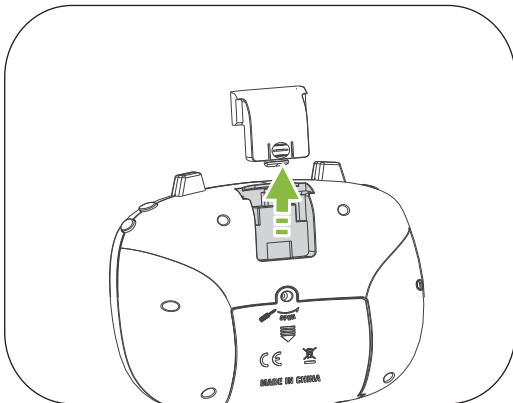


Step 1: Enter the camera tabs into the corresponding couplings of drone making sure that points forward.



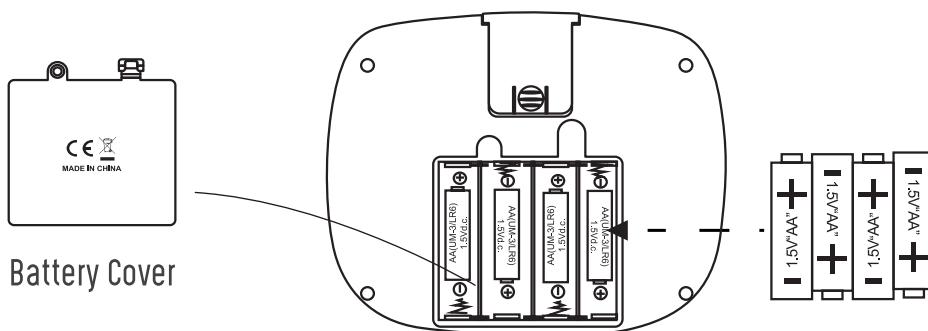
Step 2: Connect the plug of camera cables into the drone.

7.6 Phone Holder



Pull the back cover out and install and remove the phone holder as shown above.

7.7 Transmitter Battery



4 x AA batteries (not included)

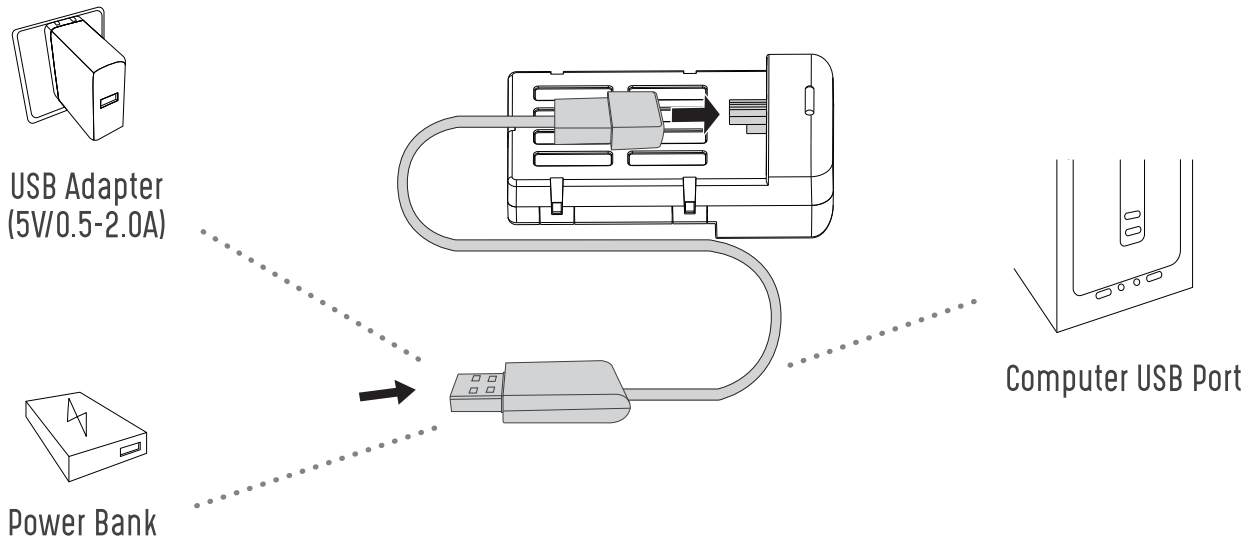


Always use alkaline batteries, never mix old and new batteries.

1. Unscrew the battery cover, press and slide the battery cover out, and insert 4 x AA batteries(not included), make sure to insert them following the correct polarity as shown.
2. Re-attach the battery cover.

8.0 CHARGING

8.1 Drone Battery



1. Remove the battery from the drone and insert the charging wire into the battery charging slot.
2. Connect the USB charging cable with a power bank or a USB adapter(5V/2.0A) for charging.
3. When the battery is charging, the USB indicator will glow red.
4. The red light will go out when the battery is fully charged.



Before charging, please read the instruction of the "2.3 Use of Battery" section of the "Safety Guidelines" carefully!

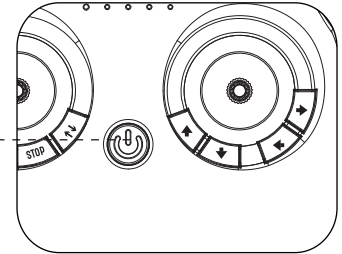
9.0 OPERATION GUIDE

9.1 Pairing

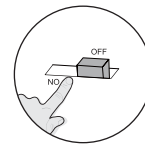
(1). Short press the power button to turn on the transmitter and it will beep twice and its indicator light flashes.



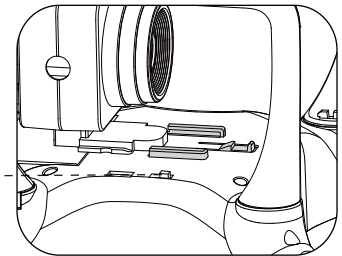
Power Button



(2). Switch the power button to turn on the drone, the indicator lights on the drone will flash.

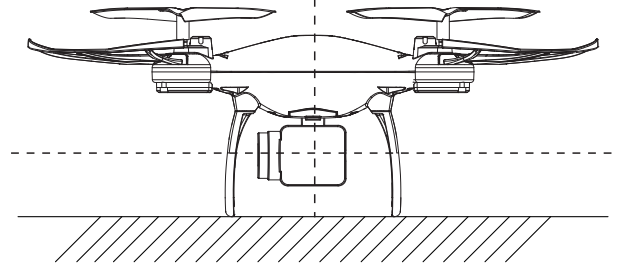


Slide

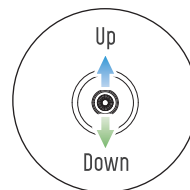


(3). Place the drone on a flat and level surface with the head forward and the tail facing towards the operator.

HEAD

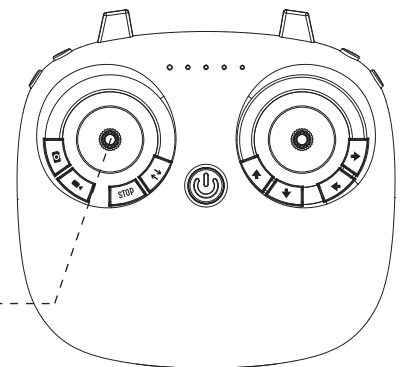


(4). Slowly push the left joystick of the transmitter up to the top and transmitter will beep once and then pull down to the bottom and transmitter will beep once again. Pairing is completed once the drone lights and transmitter light stop flashing.



Up

Down



9.2 Download APP



9.3 Connect to the APP

Connect your smartphone to the WiFi network created by the drone.

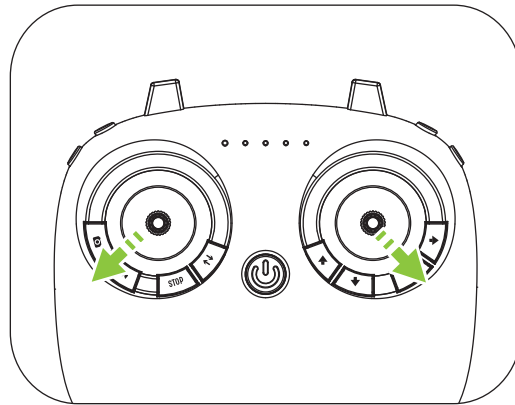
To check the drone's status in the APP.

- (1). Open your phone's Wi-Fi settings and click Wi-Fi to search for the Wi-Fi of the drone.
- (2). Select the Wi-Fi network: Firefly-*****.
- (3). Wait for a couple of seconds for your phone to connect to the drone's Wi-Fi.
- (4). Open the application.
- (5). Choose corresponding drone and click " GO button to enter the operation interface of the APP.



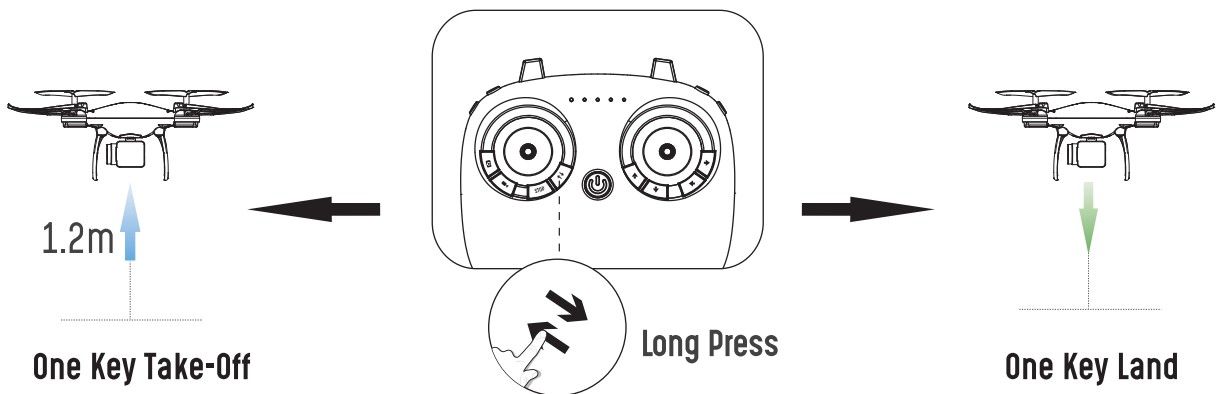
If app does not display images after connecting to the drone's WIFI, please turn off the local (3G/4G/5G) network of the smartphone firstly.

9.4 Calibrating the Gyro



After pairing, pull left joystick to the lowest left corner and right joystick to the lowest right corner at the same time. This will reset the drone to its original factory settings and will be ready to fly again.

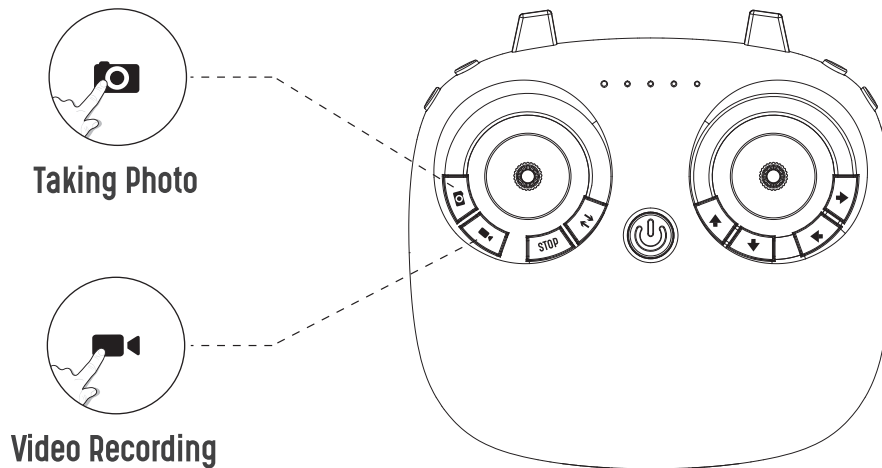
9.5 Taking-Off / Landing Method



1. Long press the one key take-off/land button "↕", the drone will automatically take off and hover at an altitude about 1.2 meter.
2. Long press the one key take-off/land button "↕" again, the drone will land slowly until landing.

10.0 FUNCTION DETAILS

10.1 Taking Photos / Video Recording

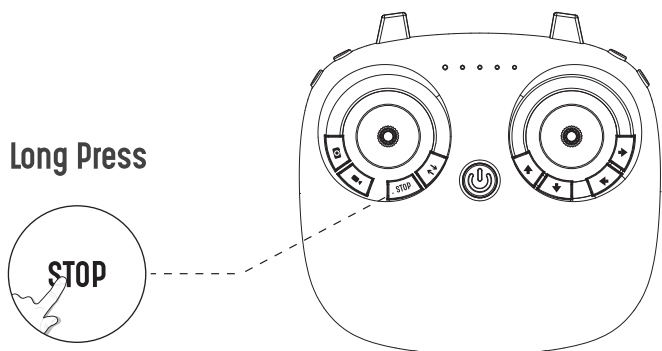


Taking Photo: Press once to take a picture.

Video Recording: Press once to start recording video, press again to stop recording.

10.2 Emergency Stop

Long press the emergency stop button on the transmitter, the motors will stop rotating immediately.

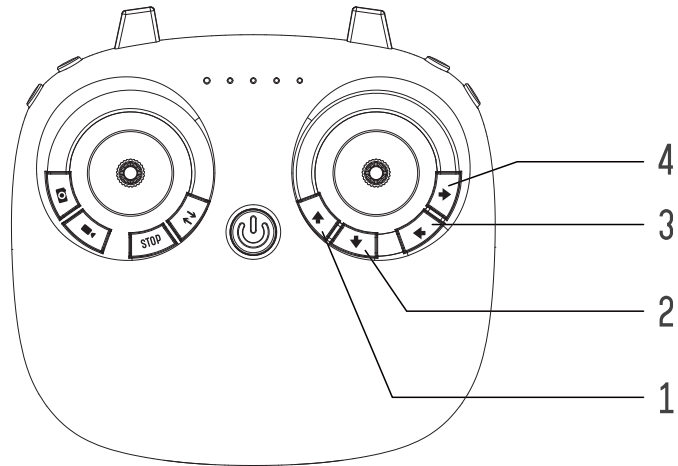


Only stop motors mid-flight in an emergency situation, doing so to reduce the risk of damage or injury.

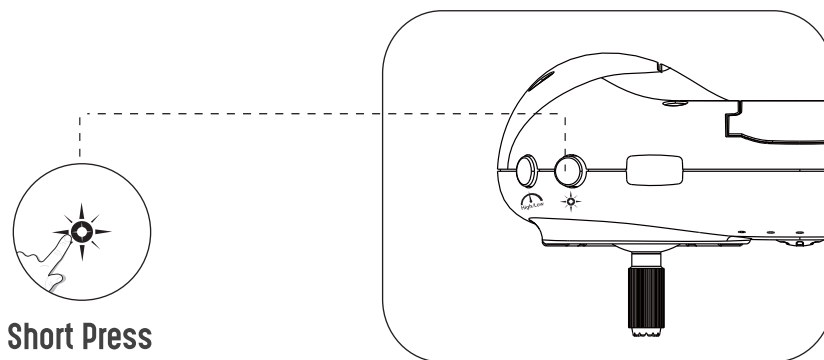
10.3 Trimming

If the drone sways in an unprompted direction, use the trim buttons to correct the flight:

- 1- Forward Trim
- 2- Backward Trim
- 3- Left Trim
- 4- Right Trim



10.4 Headless Mode



To activate headless mode, short press "headless" button, the indicator lights on drone will flash, and the drone will fly in the desired selected direction, regardless of the direction the drone is facing.

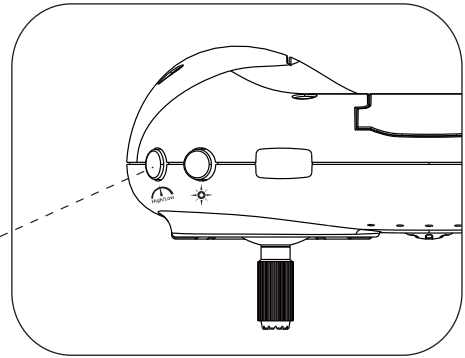
Press the headless button again to exist headless mode.

10.5 Speed Switch

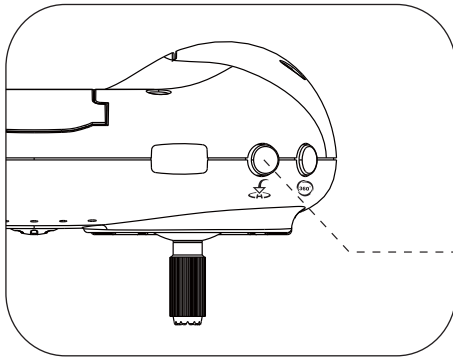
Press the speed switch button to switch high or low speed mode freely.



Short Press



10.6 Auto Return:



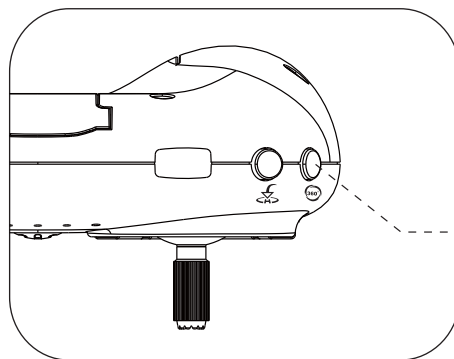
Long Press



Long press the auto return button, the drone will automatically return in the direction of the tail before takeoff. (Most of all, operator must keep in mind the drone orientation before the drone takes off, otherwise the return direction of the drone will deviate.)

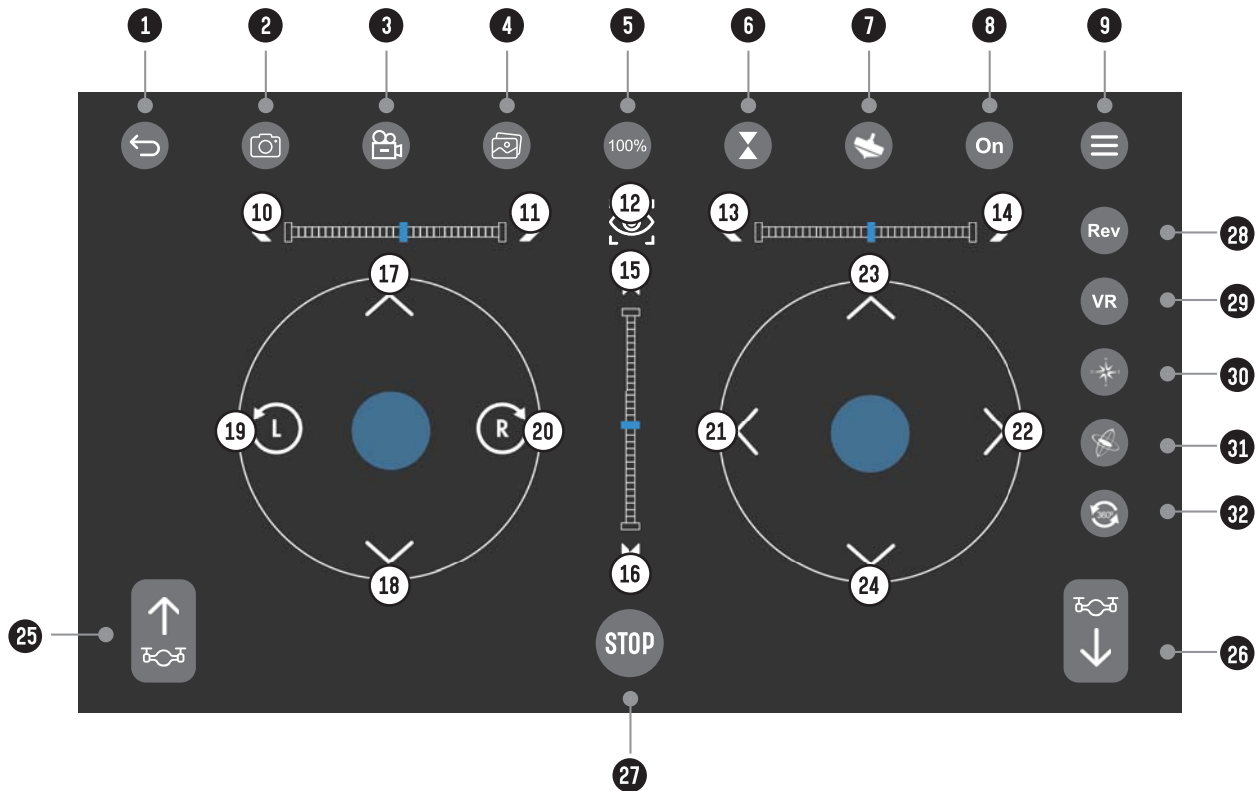
10.7 360° Flips

Perform 360° flips by pressing the "flip" button and immediately operate the right joystick in the desired direction.



Short Press

11.0 APP OPERATION INSTRUCTION



- 1. Return
- 2. Take photo
- 3. Record video
- 4. Photo&video playback
- 5. Speed: Slow 30%
Quick 60%, High 100%
- 6. Altitude Hold
- 7. Gravity sensor mode
- 8. Show / Hide control interface
- 9. Display Settings Menu
- 10/11. Turn Left / Right Trim
- 12. Trim Switch
- 13/14. Left / Right Trim

- 15/16. Forward / Backward Trim
- 17/18. Up / Down
- 19/20. Turn Left / Right
- 21/22. Left / Right
- 23/24. Forward / Backward
- 25. One Key Take-off
- 26. One Key Land
- 27. Emergency Stop
- 28. Reverse Screen
- 29. 3D Display
- 30. Headless Mode
- 31. Gyro Calibration
- 32. 360° Flip



MADE IN CHINA