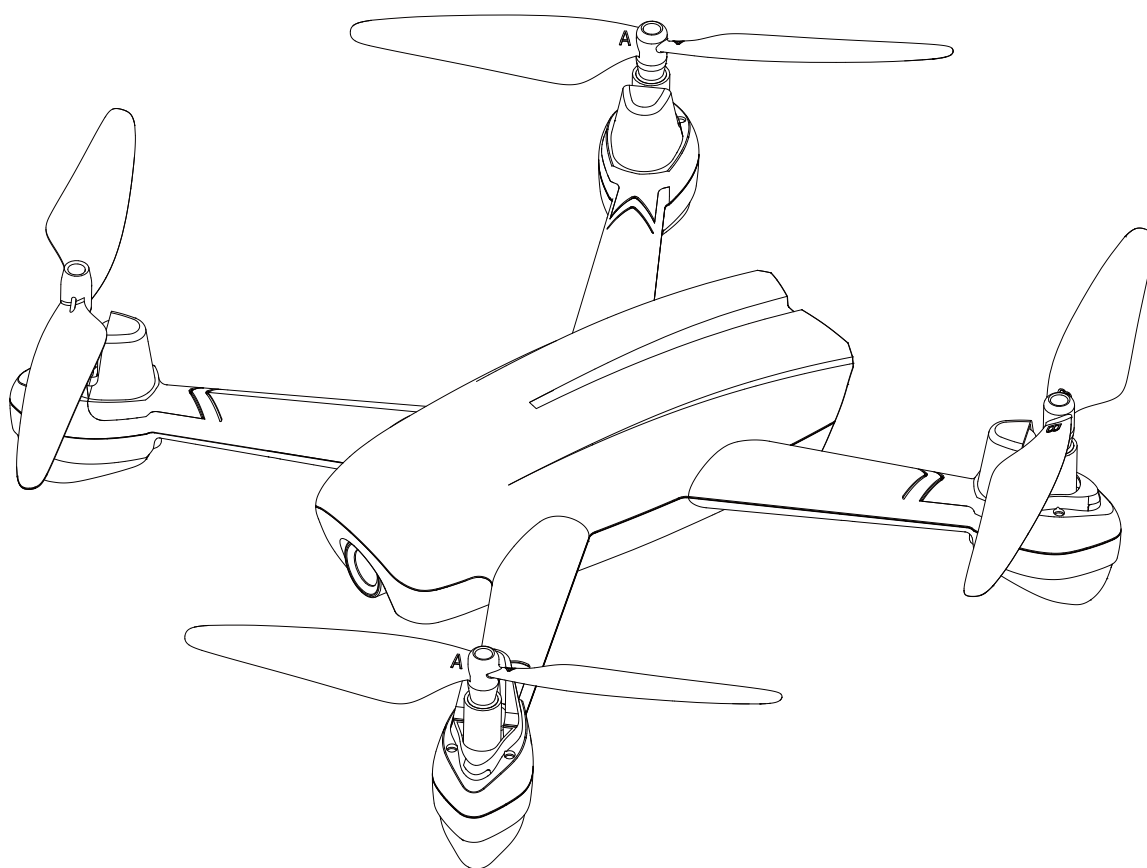


SEAGULL

GPS DRONE



INSTRUCTIONS FOR USE



FORBIDDEN:

Special design for indoor & outdoor, please keep it away from obstacles.

This product is suitable for indoor (the wind grade should be not more than 4), please choose a place without obstacle, and keep distance from crowd and pets, don't play it under unsafety, for instance, heat source, wire or electronic power source in order not to be damaged by collision landing, entanglement and lead to a force, electric shock and cause losses of lives and property.

DISCLAIMER & WARNINGS

1. Please read this disclaimer, warnings and safety guidelines carefully before using our product. This product is not recommended for people under the age of 14. By using this product, you hereby agree to this disclaimer and signify that you have read it fully. You agree that you are responsible for your own conduct and any damaged caused while using this product, and its consequences. You agree to use this product only for purposes that are proper and in accordance with local regulations, terms and all applicable policable polices and guidelines we may make available.
2. When using this product, please be sure to strictly abide by the specification requirements and safety guidelines stated in this document. Any personal injury property damage, legal disputes and all other adverse events caused by the violation of the safety instructions or due to any other factor, will not be our responsibility.

WARNINGS

- (1). The drone is designed for 14+.
- (2). Adult supervision is always advisable with any from of flying toy.
- (3). Always ensure your flight area is free of all obstacles before taking off, and ensure the drone is always flown in excess of 1.5 meters from yourself and others
- (4). Remove all batteries from the drone and controller when not in use.
- (5). Never overcharge battery.
- (6). Never leave to charge battery unattended.
- (7). Never touch the drones motors during or after as they can get hot.
- (8). Never touch the blades when they are in rotating.
- (9). If the drone becomes damaged, stop using it immediately.
- (10). Do not dispose of any parts of the drone or controller in the normal rubbish, all parts should be taken to your local recycling centre.
- (11). The battery in the drone should never be exposed to any form of high temperature or disposed in a fire.

SAFETY GUIDELINES

1. Check Before Use

- (1). This product is not a toy, but a high precision drone that integrates various electronic stability and control mechanisms. Please be sure to set up this drone carefully and correctly to ensure safe, accident-free operation.
- (2). Please be sure that the batteries of the drone and transmitter are clean, undamaged and have enough power.
- (3). Please be sure that all the propellers are undamaged and are installed in the right orientation.
- (4). Please do a thorough check of the product before each use. Check for firmness of the parts, any signs of cracks and wear of the propeller, battery power and effectiveness of the product until all the issues have been checked completely.

2. Safe Flight Environment



1. Make sure the surrounding area is free of all people, pets or other obstacles before you start to fly your drone.
2. Your drone is designed for indoor or outdoor use. However, it is not recommended to fly the drone inside if there is a limited space, or outside if there is any wind.
3. Keep a safe flight distance between you and the drone at all times.

SAFETY GUIDELINES

3. Use of Battery

- (1) Please ensure batteries are fitted in the correct orientation as shown in the instruction manual.
- (2) Avoid short circuits by fitting the batteries incorrectly, and do not crush the batteries as this could cause the risk of an explosion.
- (3) Do not mix new and old batteries as this can lead to a poor performance of the product.
- (4) Dispose used batteries carefully.
- (5) Please keep dead batteries away from heat and fire.
- (6) If the device is not going to be used for a long time, remove batteries to prevent potential damage from battery leakage.
- (7) It is recommended to only use the original USB charging cable that comes with the drone to charge the battery.
- (8) Don't connect the battery directly to wall outlets or car cigarette-lighter sockets.
- (9) Don't attempt to disassemble or modify the battery in any way.
- (10) Don't use the battery if it gives off an odor, generates heat, becomes discolored or deformed, or appears abnormal in any way. If the battery is in use or being charged, remove it from the device or charger immediately and discontinue use.

Notes: Please ensure the batteries for the drone and the remote controller are fully charged before flight.

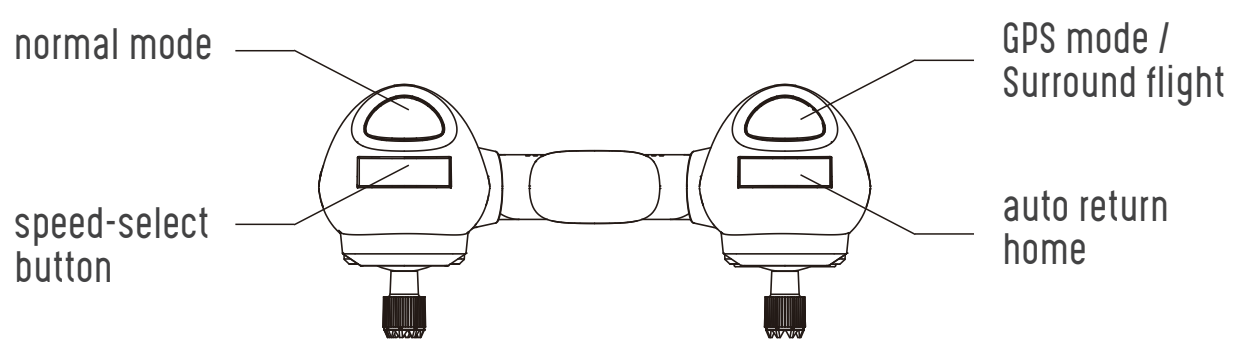
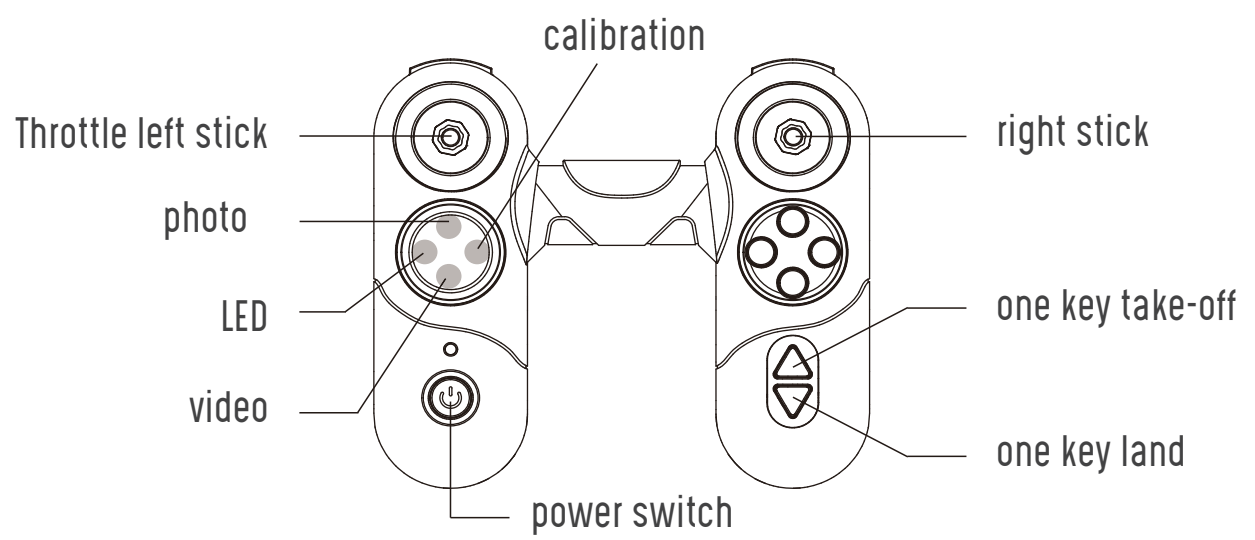


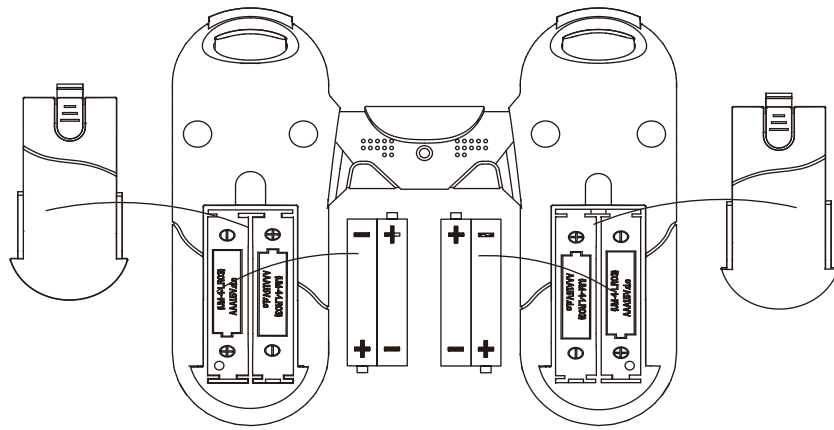
Li-Po Battery Disposal & Recycling

Waste Lithium-polymer batteries must not be placed with household trash. Please contact local environmental or waste agency or the supplier of your model or your nearest Li-Po battery recycling center.



CONTROLLER FUNCTIONS



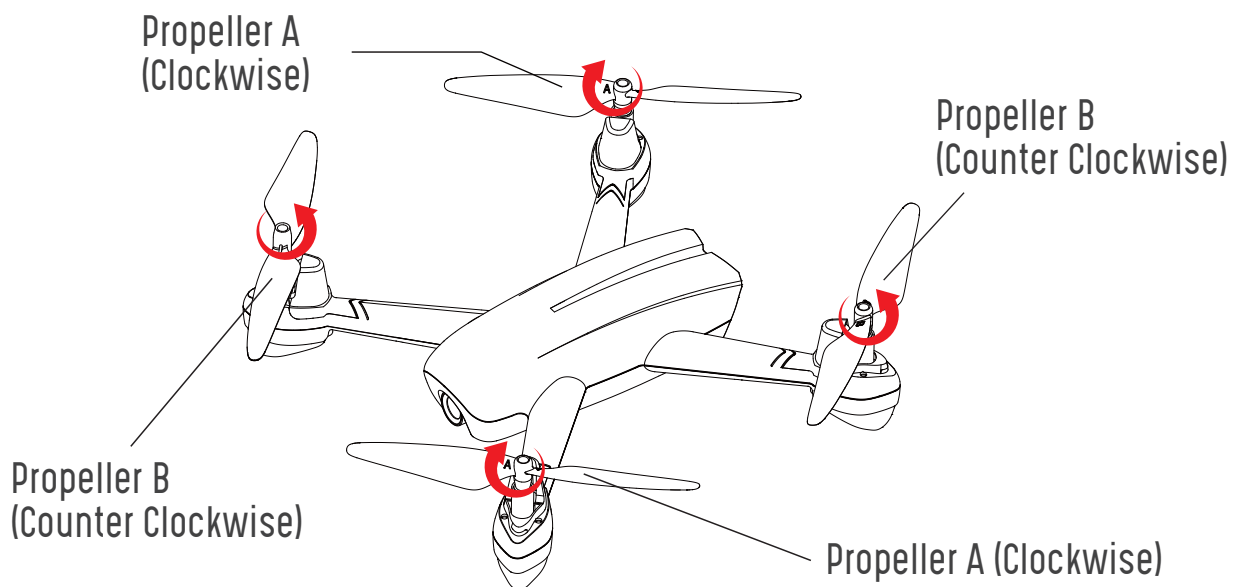


4xAAA batteries(not included)

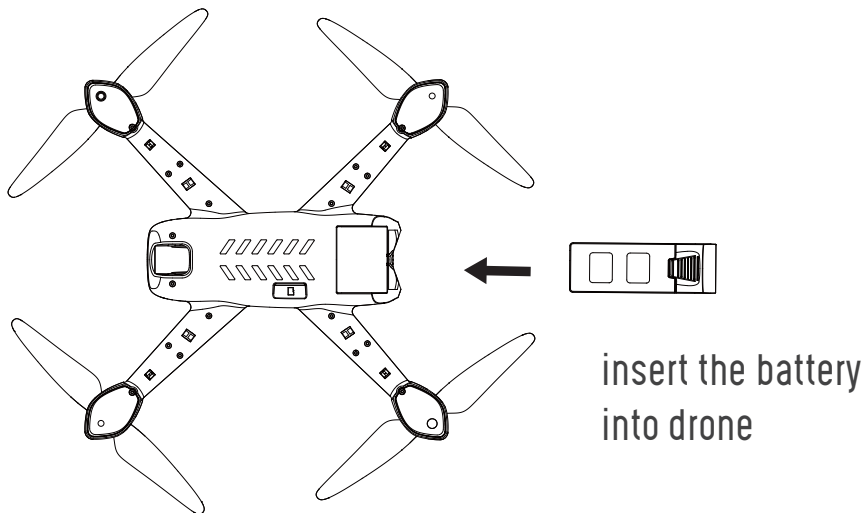
- Always use alkaline batteries
- Never mix old and new batteries

1. Unscrew the battery cover, and insert 4 x AAA batteries(not included), making sure you insert them following the correct polarity as shown.
2. Re-attach the battery cover.

DRONE'S DETAILS

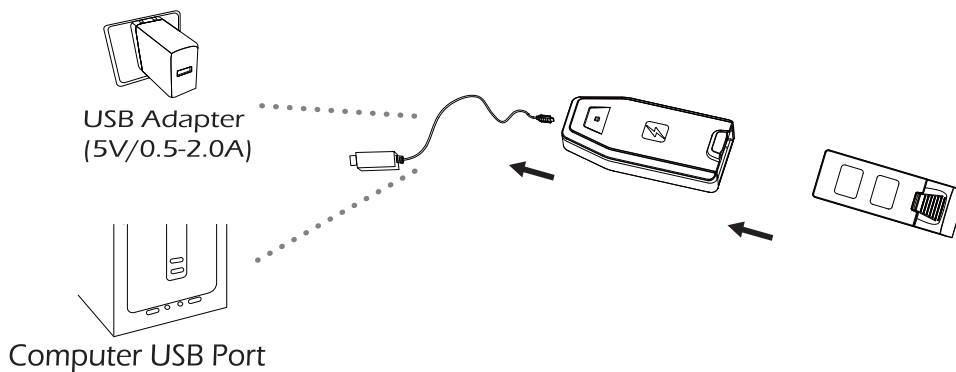


It is crucial that all the propellers are installed in the correct position (Pay attention to the letter A or B printed underneath each propeller.)



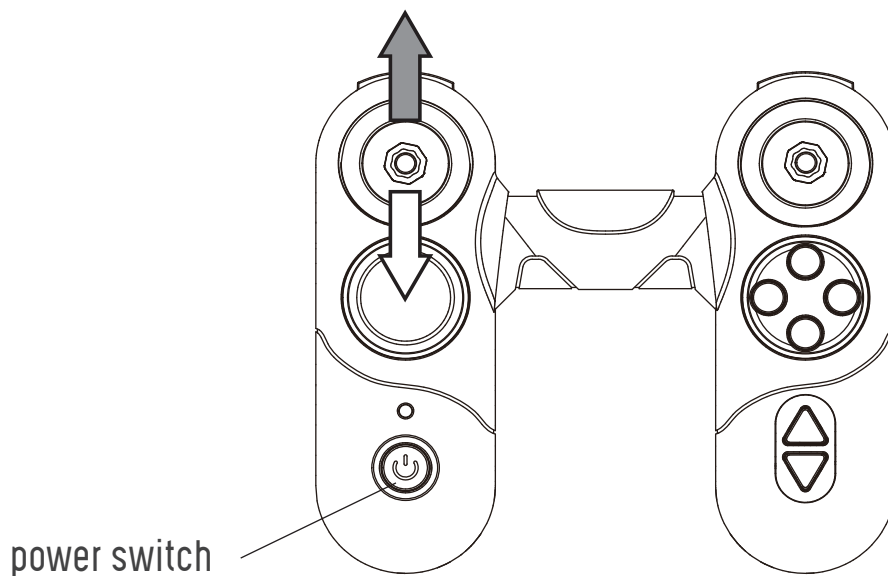
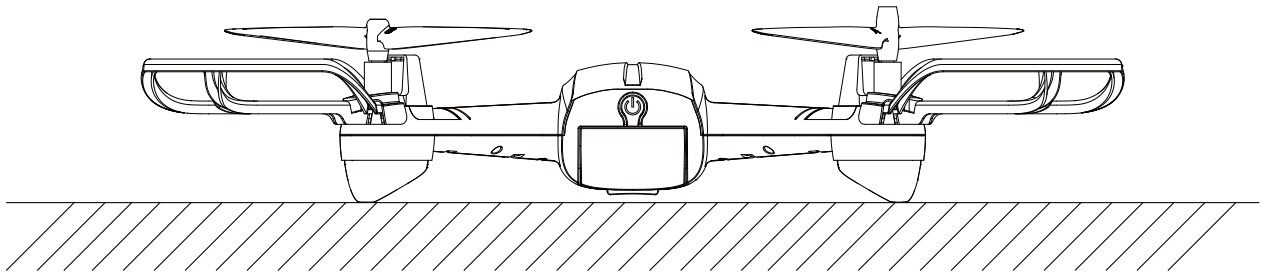
CHARGING THE DRONE BATTERY

1. Remove the battery from the drone and insert the battery into the charging box.
2. Connect the charging box with USB charging cable, and insert the battery charging wire into the USB slot of the computer. The battery is under charging when the indicator led on the charger box lights up RED.
3. The battery is fully charged when the indicator led on the charging box lights up GREEN.



Do not leave the battery unattended while charging & only use original battery and plug charger.

PAIRING YOUR DRONE TO THE CONTROLLER



OUTDOOR FLIGHT GPS MODE

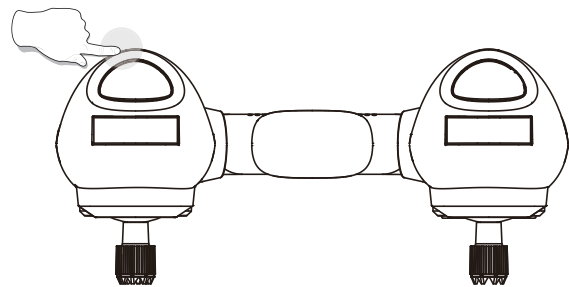
Don't fly the drone in rainy, foggy, snowy, windy days!

1. Firstly, switch on the remote and then LED on the remote will become red and start flashing. Secondly, switch on the drone and place the drone standing on the floor, the code transmitted from the remote will be successfully paired by the receiver from the drone once the remote sounded "di,di" twice.

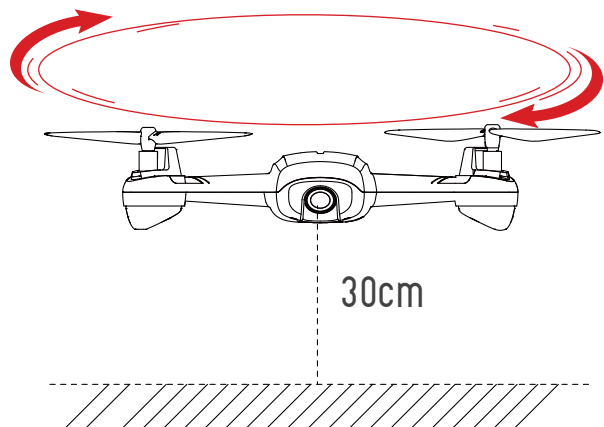
2. Push the left stick on the remote control to the top for two seconds, then pull the left stick to the bottom for two seconds. (At this time, the remote control indicator light turns to green color and flashes slowly.)
Release the left joystick, when the front and rear lights of the drone flash quickly at the same time, the frequency pairing is successful.
3. When both the front and rear indicator leds stop flashing and stay stable, then the drone is successfully matched GPS signal and ready to fly.
4. When the user firstly fly this drone, he or she will need to recalibrate the geomagnetism before flight if the drone can not fly stably after many crashes or changing engines.

5. Magnetic Compass Calibration:

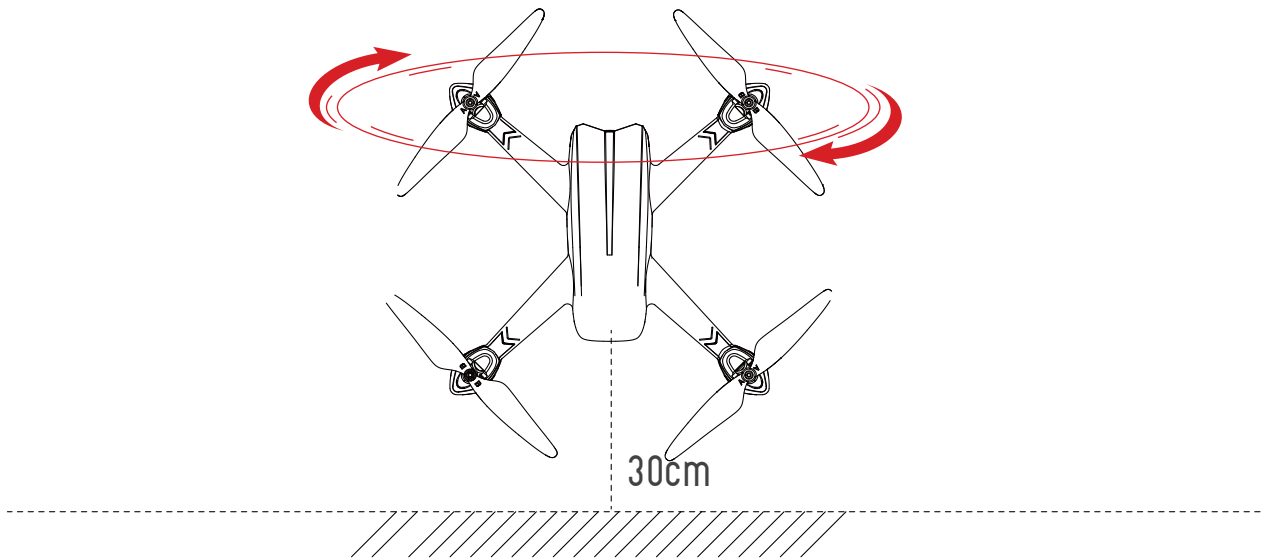
- (1). Press and hold the normal mode button, the red lights on the rear of the drone will be off, and the front green lights will flash quickly to enter the calibration. The normal mode button can be released at this time.



- (2). Pick up the drone and keep it in the air horizontally, then slowly rotate the drone clockwise, and wait for the green lights to flash slowly to indicate that the horizontal calibration is completed.



(3). Hold the drone in the air vertically (drone's head points at the ground), then slowly rotate the drone clockwise, and wait for the red lights to flash slowly to indicate that the vertical calibration is completed. (At this time, the front and rear lights of the drone alternately flash slowly.)



(4). Place the drone horizontally on the ground, and wait for the front and rear lights on the drone to flash quickly, to indicate that the calibration is completed.

6. Searching GPS Satellites

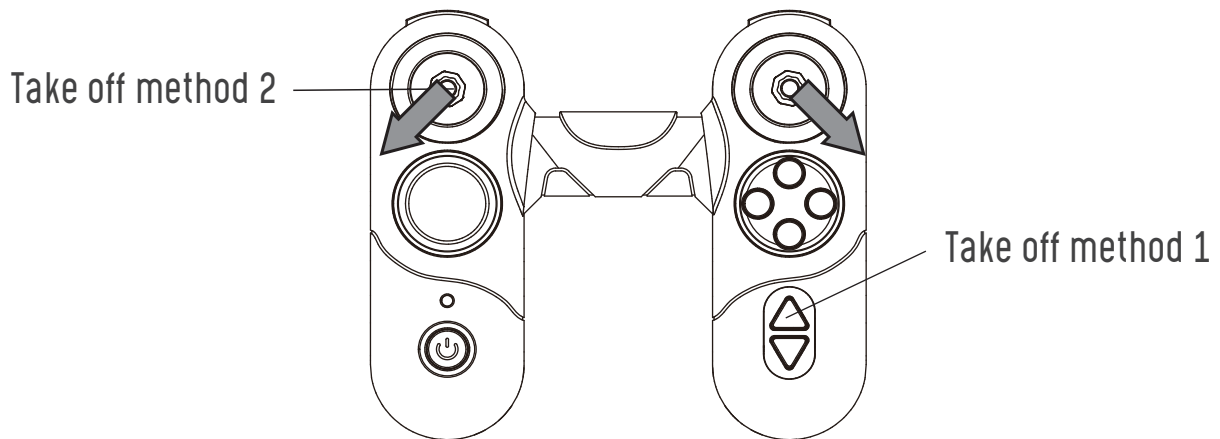
The drone must have enough GPS signal to fly in outdoor GPS mode. The normal outdoor satellites searching time is about 1-2 minutes. When the front lights of the drone are green ON, that indicates there are at least 6 satellites searched in the GPS signal, then the drone can fly outdoor.

The longer the GPS signal searches, the better the GPS signal gets.

The flight will be more stable and the auto return and landing will be more accurate when the GPS signal is strong.

When the drone takes off, its flight altitude will be higher if the GPS signal is stronger, it can fly at about 5 meters height when the drone searched about 13 satellites.

7. Taking Off



- (1). Press the one key take-off button for 2 to 3 seconds, and the drone will fly up to 1 meter height automatically, the flight mode is defaulted as normal flight mode. Press the GPS mode button, the drone will fly on GPS mode. (When the drone takes off, its flight altitude will be higher if the GPS signal is stronger, it can fly at about 5 meters height when the drone searched about 13 satellites.)
- (2). Pull the left stick on the remote to left direction at the angle of 15 degrees and the right stick on the remote to right direction at the angle of 15 degrees. The drone blades will rotate slowly and enter into standby speed flight mode, then push the remote control throttle, the drone will take off.

8. Landing

Method 1:

Press the "one key land" button for 2-3 seconds, the drone will land by itself.

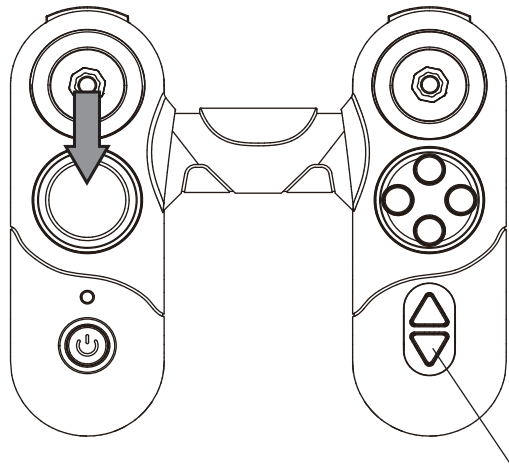
Method 2:

Pull the "throttle left stick" down until the drone lands.

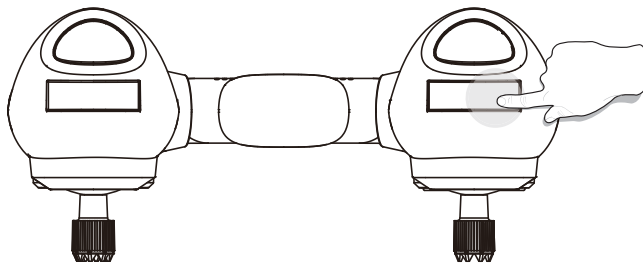
Method 3:

Press auto return home button for 2 to 3 seconds, the drone will return to the position where GPS mode started.

Landing Method 2

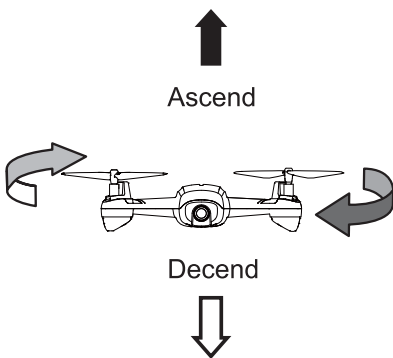


Landing method 1

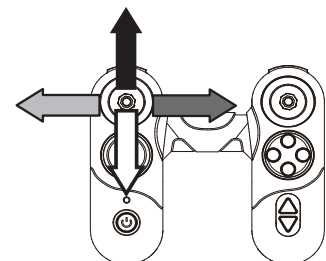


Landing method 3

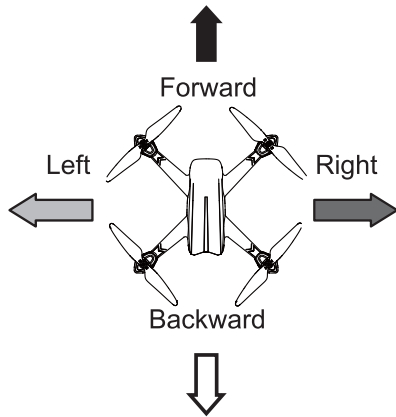
Altitude & Rotating:



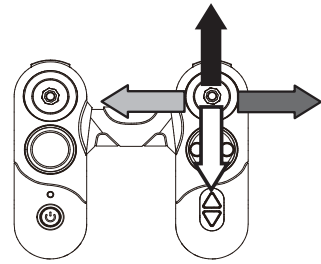
Use "throttle left stick"
to control the
altitude & rotation
during flight.



Forward / Backward / Left / Right:



Use "right stick" to control forward, backward, left & right movement during flight.

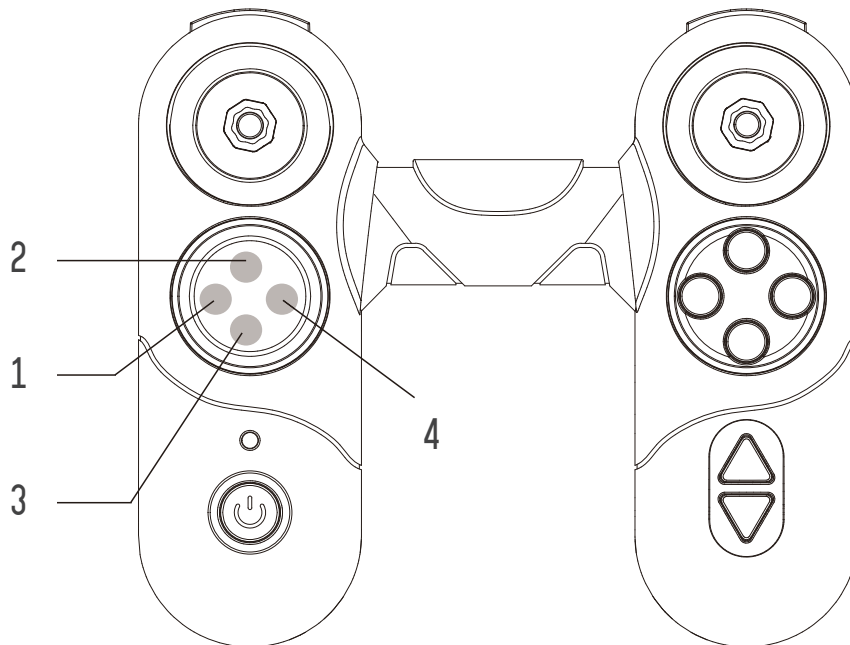


INDOOR FLIGHT NON-GPS MODE

1. First turn on the power button of the remote control, the red light of the remote control flashes quickly and makes two beeps; long press the power switch of the drone, the lights on the drone will flash slowly.
2. Push the left stick on the remote control to the top for two seconds, then pull the left stick to the bottom for two seconds; The remote control indicator light turns to green color and flashes slowly.
3. Release the left stick, when the front and rear lights of the drone flash quickly at the same time, the drone is ready to fly.
4. Press and hold the one key take-off button for 2-3 seconds, the drone will fly 1m height by itself. During the flight, the green lights on the drone will flash slowly and the red lights will be bright.
5. Press and hold the one key land button for 2-3 seconds, the drone will land on its own. Or the drone will slowly descend after the throttle stick is pulled down.

Because the indoor GPS signal is very poor and unstable, the drone can only fly indoor in normal mode. So no auto return/no waypoint/ no follow me function.

FEATURES



1. LED:

Press LED button once, the 4 leds of the drone will light off. Press LED button once again, all the leds will light on.

2. Taking Photos:

Press once, take one picture.

3. Video Recording:

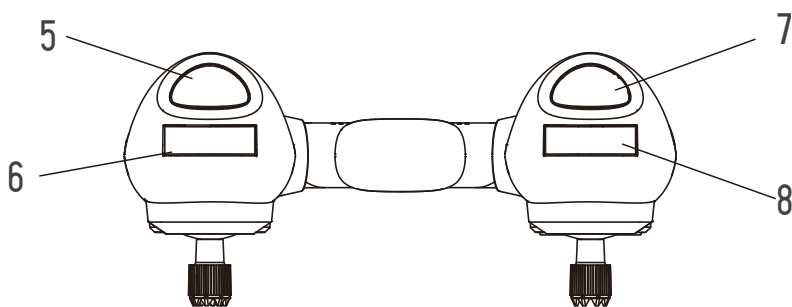
Press once to start the video mode, press one time again to stop the video mode.

Remark: because the drone comes with a wifi camera, it can only take pictures or record video after connected with mobile phone.

Since the wifi board is built with a memory card slot, so the pictures and videos can be stored in both mobile phone and memory card inserted in the card slot.

4. Pairing The Drone To The Controller

Press and hold the button , at the same time, turn on the remote control power switch and then release the two buttons (the remote control indicator light flashes quickly). Press and hold the drone power switch for three seconds, wait for the front and rear lights of the drone to flash slowly and then release the power switch button. Push the left stick on the remote control to the top for two seconds, then pull the left stick to the bottom for two seconds. (At this time, the remote control indicator light turns to green color and flashes slowly.) Release the left stick, when the front and rear lights of the drone flash quickly at the same time, the frequency pairing is successful.



5. Normal Mode Button

Press the Normal Mode Button, the drone will fly in the normal mode, no GPS function.

6. Speed-Select Button

Two speeds for the drone, fast and slow.

7. GPS Mode

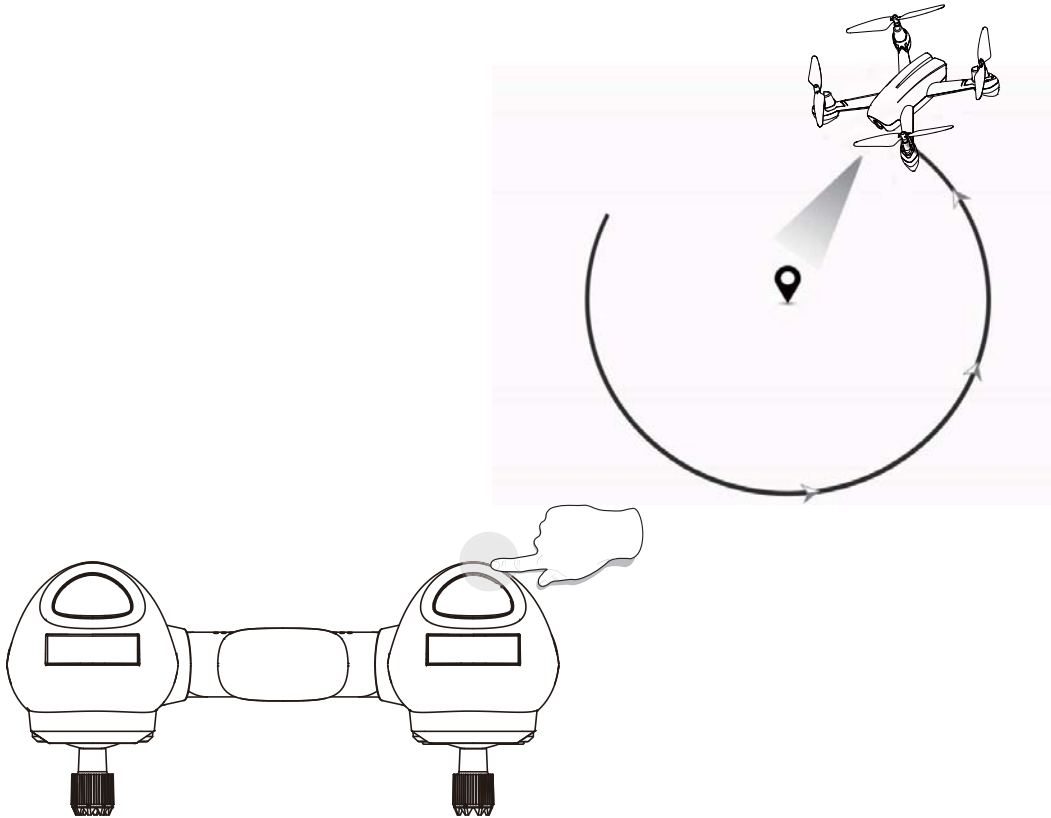
After the drone is paired successfully and started to fly, press the GPS mode button, the drone will fly in the GPS mode.

8. Auto Return Home

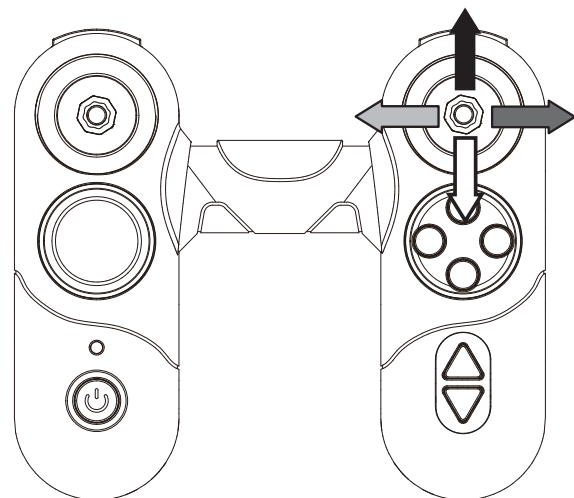
When the drone is flying in the GPS mode, press the auto return home button for 2 to 3 seconds, the drone will return to the position where GPS mode started.

GPS Mode /Surround Flight:

During the flying, the users can enjoy the surround flight mode by pressing the GPS mode / surround flight button for 2 to 3 seconds until the remote beeps "di, di" twice. During surround flight, the drone will fly in the 15 meters radius semicircle range.



During the surround flight, the user can adjust the flight radius of the drone by operating the direction stick up or down, and the speed of the drone can be adjusted by operating the direction stick to the left or right.

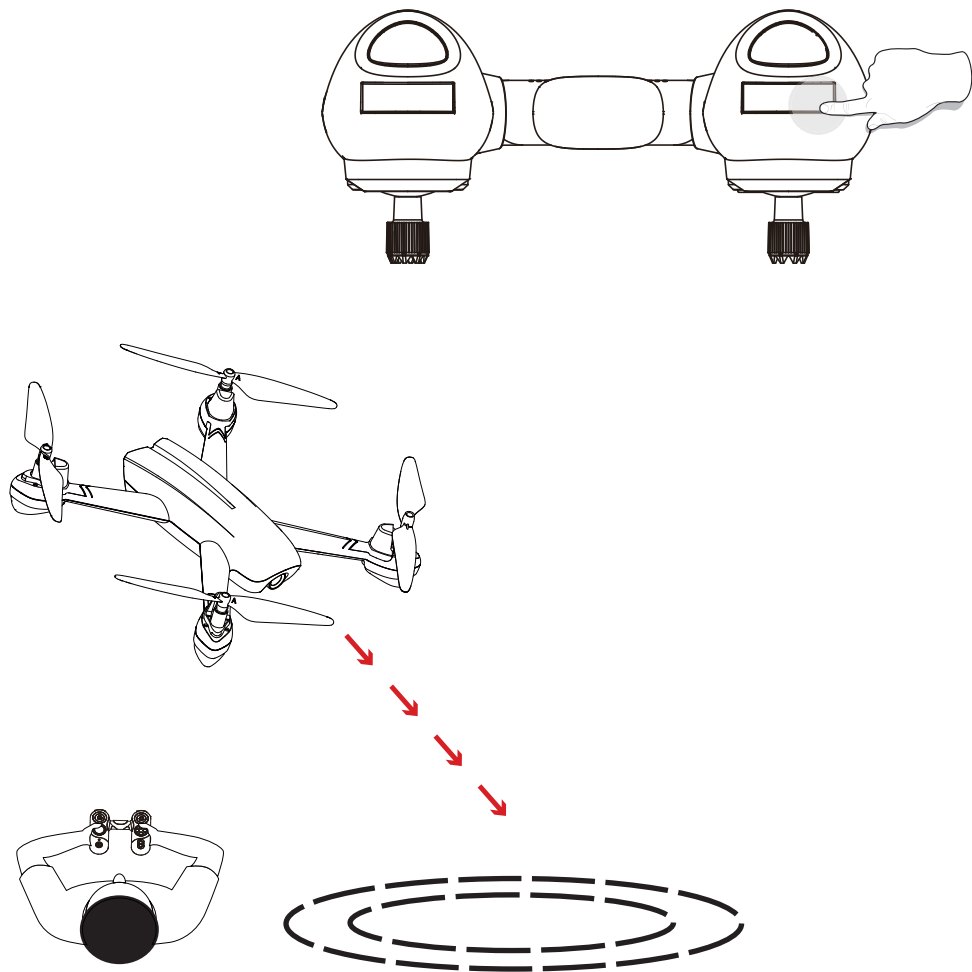


Auto Return Home:

When the drone flies too far in GPS mode, user can't tell the directions of the drone, then can operate it in below 2 ways to fly back the drone to the takeoff place:

1. Long press the auto return home button for 2-3 seconds, the drone will fly back to the takeoff place automatically.
2. Directly turn off the remote control power switch, the drone will return to the take-off place.

Remark: When the drone is out of range of controller, the drone will fly back to the take off place automatically.

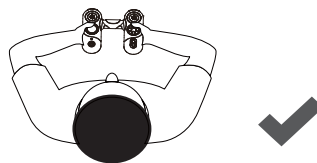
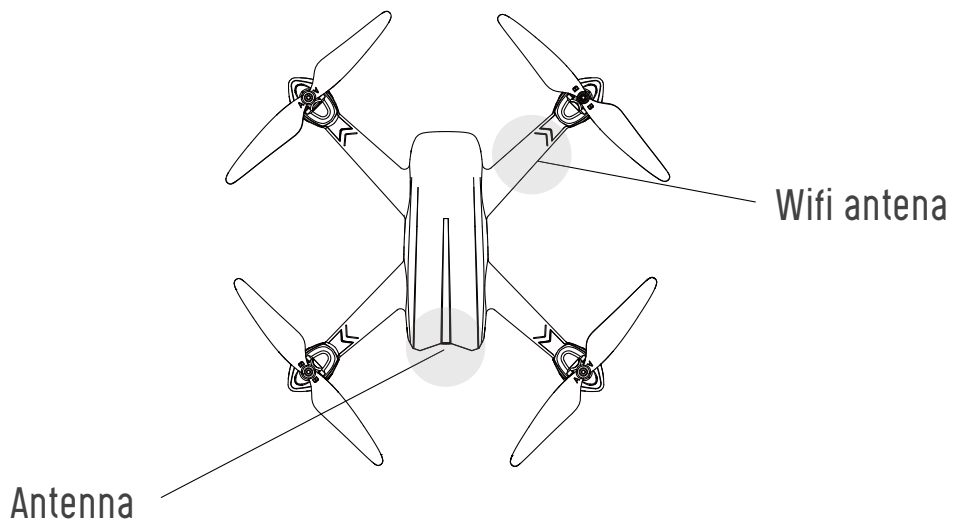


For outdoor flight, we strongly recommend the user to choose an open area, as the GPS signal will be strong enough.

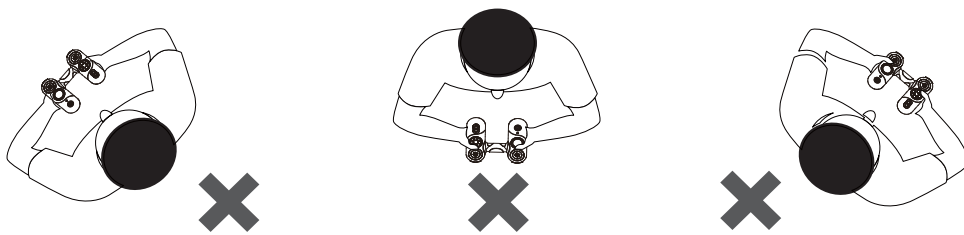
The GPS signal will be too weak to have a joyful flight if the user choose to fly the drone in residential area, as example, because there are too many buildings, and the glass will refract.

Due to the launch module of the drone is 2.4G, it will be different affected by the different environmental conditions of the site.

The maximum flight distance is 200m, and it is normal for the drone to return automatically during the flight in GPS mode.



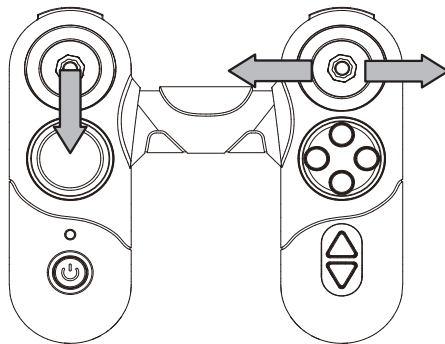
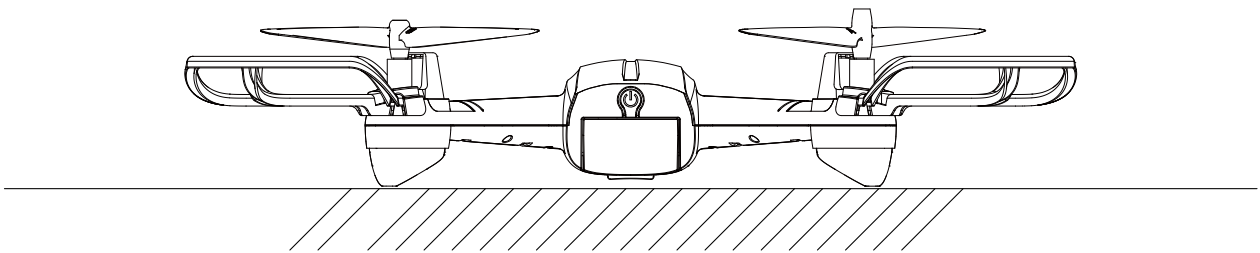
The direction of control when the drone is paired.



Don't turn your direction

CALIBRATE GYROSCOPE

When the flight of the drone is unstable or deviated from the left or right after taking-off, correct the gyroscope and the flight will be more stable after the correction.

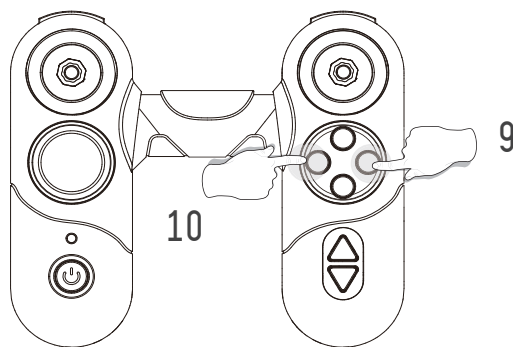


1. Place the drone on a flat ground, then pull the left stick to the bottom, meanwhile, turn the right stick left and right horizontally quickly and without stop until the lights on the drone start flashing slowly. (The front and rear lights on the drone flash slowly to indicate that calibration has been completed, DO NOT move the drone at this time.)
2. Waiting for the front and rear lights of the drone to flash quickly which indicates that the calibration is successful.

LEFT AND RIGHT HAND THROTTLE SWITCH

This product defaults to the left-hand throttle control. User can switch between left and right hand mode according to the following operations.

User only needs to switch once, the remote control can save it automatically, no need to switch it again.



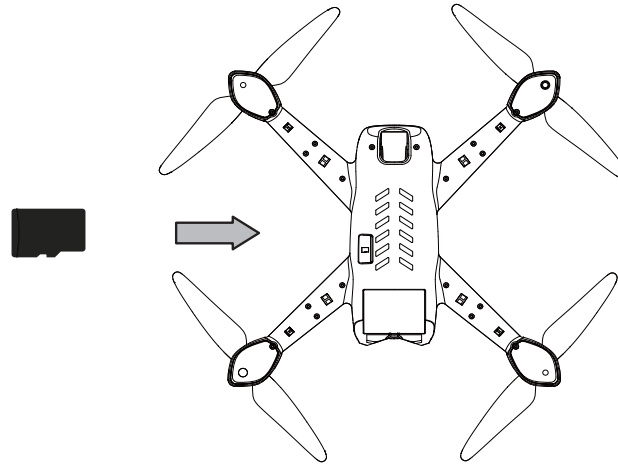
Left hand mode to right hand mode:

Press and hold button 9, and turn on the power switch of the remote control and then release the 2 buttons (the remote control indicator light flashes quickly), then push the right stick to the top for two seconds, when the remote control indicator light turns RED and flashes slowly, pull the right stick to the bottom for two seconds. Waiting for the remote control indicator light to turn to a green light, that indicates the switch is successful.

Right hand mode to left hand mode:

Press and hold button 10, and turn on the power switch of the remote control and then release the 2 buttons (the remote control indicator light flashes quickly), then push the left stick to the top for two seconds, when the remote control indicator light turns RED and flashes slowly, pull the left stick to the bottom for two seconds. Waiting for the remote control indicator light to turn to a green light, that indicates the switch is successful.

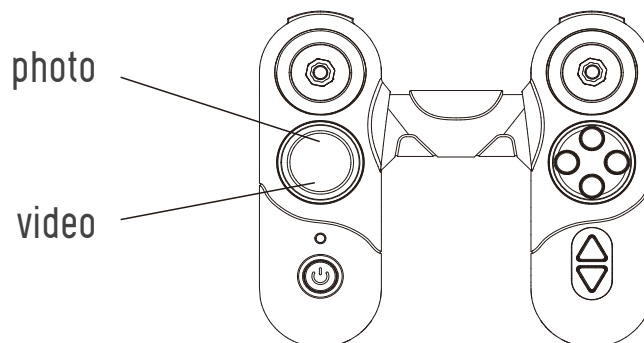
INSERT THE SD CARD



Insert the SD card (not included) to the slot in right direction. If the SD card is inserted upside down, it will get stuck and the camera will not work.

To download your photo and video files:

- Remove the SD card from the drone and plug it into the card reader (not included).
- Plug this into your computer to access the files.



INSTALL PHONE HOLDER



1. Insert the phone holder to the middle of remote controller.
2. Use the screws which behind the phone holder to adjust the tightness between the holder and the remote.



3. Pull out the holder and place the phone on the holder.

TROUBLE SHOOTING

Problem	Possible cause	Solution
The indicator lights of the drone are flashing and does not respond to the transmitter.	<ol style="list-style-type: none"> 1. Transmitter is not paired to the drone. 2. Insufficient battery power. 	<ol style="list-style-type: none"> 1. Refer to the preparation for flight and pair again. 2. Recharge the battery.
The propellers rotate, but the drone cannot take-off.	<ol style="list-style-type: none"> 1. Insufficient battery power. 2. The propellers are installed in wrong orientation. 3. The propellers are distorted. 	<ol style="list-style-type: none"> 1. Recharge the battery. 2. Install the propellers in right orientation. 3. Replace the propellers.
The drone sways sharply.	The propellers are distorted.	Replace the propellers.
Drone cannot stay balance in flight.	<ol style="list-style-type: none"> 1. The propellers are distorted. 2. The motor doesn't work properly. 	<ol style="list-style-type: none"> 1. Replace the propellers. 2. Replace the motor.
The drone is out of control after crashing.	Six-axis acceleration sensor has losed its balance after crashing.	Restart and re-calibrate the drone.
The drone rotates upwards when pushing up the throttle stick or the drone sways	The motor doesn't work properly	Replace the motor

DOWNLOADING APP SOFTWARE



Connect to the APP:

- (1) Turn on the drone.
- (2) Enter the Settings menu of your mobile device.
- (3) Activate WIFI connection, search for the drone's wifi network and connect to it.
- (4) Click on the ICON to open the interface of the APP.